

SM7110

HIOKI

SM7120

Communications Command Instruction Manual

SUPER MEGOHM METER



Check for the latest edition and
other language versions.



- ✓ This manual explains the communication commands for Model SM7110, SM7120 Super Megohm Meter.
- ✓ Please refer to the instruction manual for Model SM7110, SM7120 for details regarding command settings.
- ✓ Although all reasonable care has been taken in the production of this manual, should you find any points which are unclear or in error, please contact your Hioki distributor or reseller.
- ✓ In the interest of product development, the contents of this manual may be subject to revision without notice.
- ✓ Unauthorized copying and replication of the contents of this instruction manual are strictly prohibited. All Rights Reserved.

EN

Contents

1	Introduction.....	1
	Message Format.....	1
	Output Queue and Input Buffer	4
	Status Byte Register.....	5
	Event Registers	6
	Initialization Items	8
	Local Function.....	9
	Command Execution Time	9
	Errors During Communications	9
2	Message List.....	10
3	Message Reference.....	14
	Message Reference Interpretation.....	14
	Standard Commands.....	15
	(1) System Data Command.....	15
	*IDN?	
	(2) Internal Operation Command.....	15
	*RST	
	*TST?	
	(3) Synchronization Commands.....	15
	*OPC	
	*OPC?	
	*WAI	
	(4) Status and Event Control Commands	16
	*CLS	
	*ESE	
	*ESR?	
	*SRE	
	*STB?	
	*TRG	
	Device-Specific Commands	18
	(1) Measurement status	18
	:START	
	:STOP	
	:STOP:CONDition	
	:STATe?	
	(2) Reading Measured Values.....	19
	:MEASure?	
	:MEASure:COMParator?	
	:MEASure:RESult?	
	:MEASure:CLEar	
	(3) Voltage Monitor.....	21
	:MEASure:MONItor?	
	(4) Temperature and Humidity value.....	21
	:MEASure:TEMPerature?	
	:MEASure:HUMidity?	
	(5) Measured value display mode	22
	:MEASure:MODE	
	(6) Measurement Format.....	22
	:MEASure:FORMat	
	(7) The Number of Displayed digits.....	22
	:MEASure:DIGit	
	(8) Applied Voltage	23
	:VOLTag	
	(9) Measurement Speed.....	23
	:SPEEd	
	(10) Range.....	23
	:RANGe	
	:RANGe:AUTO	
	:RANGe:AUTO:TIMeout	

(11) Delay	24
:DELay	
(12) Average	24
:AVERage	
:AVERage:COUNT	
(13) Sequence Program function	25
:SEQuence	
:SEQuence:NUMBer	
:SEQuence:TIME	
:SEQuence:TIME:DISChargE1	
:SEQuence:TIME:CHARge	
:SEQuence:TIME:MEASure	
:SEQuence:TIME:DISChargE2	
:SEQuence:MEASure?	
(14) Voltage value setting for resistance calculation.....	28
:VMODE	
:VMODE:VOLTagE	
(15) Trigger	28
:TRIGger	
(16) Self-Calibration.....	28
:CALibration?	
:CALibration:AUTO	
:CALibration:TIME	
(17) Interlock.....	29
:INTerlock	
(18) Current Limit.....	29
:CHARge:LIMit	
:CHARge:LIMit:CURRent	
(19) Contact check	30
:CONtactcheck:FREQuency	
:CONtactcheck:WORkC	
:CONtactcheck:CABLe	
:CONtactcheck:CABLe:AUTO?	
:CONtactcheck:DELay	
:OPEN?	
:OPEN:VALue?	
:CONtactcheck:STATe	
:CONtactcheck:LIMit	
:CONtactcheck?	
:CONtactcheck:VALue?	
(20) Drawing update during measurement.....	33
:DISPlay:UPDate	
(21) Resistivity measurement function	33
:ELECTric:D1	
:ELECTric:D2	
:ELECTric:T	
:ELECTric:K	
(22) Sweep function.....	34
:SWEEp:STATe	
:SWEEp:AUTOlist:STEP	
:SWEEp:AUTOlist:NUMber	
:SWEEp:TIME:HOLD	
:SWEEp:TIME:DELay	
:SWEEp:TIME:STEP	
:SWEEp:COMPARator:FAIL:STOP	
:SWEEp:COMPARator:FINE:AUTO	
:SWEEp:REVERse	
:SWEEp:LIST:CLEAr	
:SWEEp:LIST:DATA	
:SWEEp:LIST:COUNT	
:SWEEp:MEASure?	

:SWEEp:MEASure:EXECute?	
(23) Comparator	38
:COMParator:LIMit	
:COMParator:BEEPer	
(24) Panel saving and loading	39
:PANel:SAVE	
:PANel:SAVE?	
:PANel:LOAD	
:PANel:NAME	
:PANel:CLEar	
(25) Key Beeper	40
:KEY:BEEPer	
(26) Key-lock.....	40
:SYStem:KLOCK	
(27) Internal memory	40
:MEMory?	
:MEMory:RANGe?	
:MEMory:STATe	
:MEMory:COUNT?	
:MEMory:CLEar	
(28) Voltage monitor check	42
:VCHeck?	
:VCHeck:STATe	
:VCHeck:LIMit	
(29) Double action	43
:DOUBleaction	
(30) LCD	43
:DISPlay:MODE	
:DISPlay:CONTRast	
DISPlay:BACKlight	
(31) Line Frequency	44
:SYStem:LFRequency	
:SYStem:LFRequency:AUTO?	
(32) Reset.....	44
:RESet	
(33) EXT I/O.....	44
:IO:EDGE	
:IO:FILTer:STATe	
:IO:FILTer:TIME	
:IO:GOLogic	
:IO:EOM:MODE	
:IO:EOM:PULSe	
:IO:OUTPin?	
:IO:MODE?	
(34) Device Event Status Enable Register.....	47
:DSE0	
:DSR?	
(35) Command Header.....	48
:HEADer	
(36) Communications Settings	48
:SYStem:LOCAl	
:SYStem:TERMinator	
4 Measurement Value Format.....	49
5 Sample Application.....	50

■ Response Messages

When a query message is received, its syntax is checked and a response message is generated. **:SYSTEM:HEADer** command determines whether headers are prefixed to response messages.

Header ON **:RANGe 200pA**

Header OFF **200pA**

(The current measurement range is 200pA)

At power-on, Header OFF is selected.

If an error occurs when a query message is received, no response message is generated for that query.

Some query message has no header, such as **:MEASure?**.

■ Command Syntax

Command names are chosen to mnemonically represent their function, and can be abbreviated. The full command name is called the “long form”, and the abbreviated name is called the “short form”. The command references in this manual indicate the short form in upper-case letters, extended to the long form in lower case letters, although the commands are not case-sensitive in actual usage.

:CALibration? OK (long form)

:CALIBRATION? OK (long form)

:CAL? OK (short form)

:CALIB? Error

:CA? Error

Response messages generated by the instrument are in long form and in upper case letters.

■ Headers

Headers must always be prefixed to program messages.

(1) Command Program Headers

There are three types of commands: Simple, Compound and Standard.

- **Headers for Simple Commands**

This header type is a sequence of letters and digits

:RANGe

- **Headers for Compound Commands**

These headers consist of multiple simple command type headers separated by colons “:”

:RANGe:AUTO

- **Headers for Standard Commands**

This header type begins with an asterisk “*”, indicating that it is a standard command defined by IEEE 488.2.

***RST**

(2) Query Program Header

These commands are used to interrogate the instrument about the results of operations, measured values and the current states of instrument settings.

As shown by the following examples, a query is formed by appending a question mark “?” after a program header.

:RANGe?

:RANGe:AUTO?

:MEASure?

:MEASure:MONItor?

■ Message Terminators

This instrument recognizes the following message terminators (delimiters):

USB, RS-232C	GPIB
<ul style="list-style-type: none"> •CR •LF •CR + LF 	<ul style="list-style-type: none"> •LF •CR + LF •EOI •LF + EOI

Also the terminator for response messages is as follows:

USB, RS-232C	GPIB
<ul style="list-style-type: none"> •CR + LF 	<ul style="list-style-type: none"> •LF + EOI (Default) •CR + LF + EOI

■ Separators

(1) Message Unit Separator

Multiple messages can be written in one line by separating them with semicolons “;”

:RANGe 200pA;*IDN?

- When messages are combined in this way and if one command contains an error, all subsequent messages up to the next terminator will be ignored.

(2) Header Separator

In a message consisting of both a header and data, the header is separated from the data by a space “ ” (ASCII code 20H).

:AVERage:COUNT 5

Header section Space Data Section

(3) Data Separator

In a message containing multiple data items, commas “,” are required to separate the data items from one another.

:COMParator:BEEPPer HI,TYPE1,1

Header section Data section Comma Data section

■ Data Formats

The instrument uses character data, decimal numeric data and character string data depending on the command.

(1) Character Data

Character data always begins with an alphabetic character, and subsequent characters may be either alphabetic or numeric. Character data is not case-sensitive, although response messages from the instrument are only upper case. When the command data section contains <1/0/ON/OFF>, the operation will be similar to when 0 is OFF and 1 is ON.

:HEADER OFF
:HEADER 0

(2) Decimal Numeric Data

Three formats are used for numeric data, identified as NR1, NR2 and NR3. Numeric values may be signed or unsigned. Unsigned numeric values are handled as positive values. Values exceeding the precision handled by the instrument are rounded to the nearest valid digit.

- NR1 Integer data (e.g.: +12, -23, 34)
- NR2 Fixed-point data (e.g.: +1.23, -23.45, 3.456)
- NR3 Floating-point exponential representation data (e.g.: +1.0E-2, -2.3E+4)

The term “NRf format” includes all three of the above numeric decimal formats.

The instrument accepts NRf format data. The format of response data is specified for each command, and the data is sent in that format.

- e.g.: NR1 **:AVERage:COUNT 5**
- e.g.: NR3 **:OPEN:WORK 50E-12**

■ Compound Command Header Omission

When several commands having a common header are combined to form a compound command (for example, **:SEquence:TIME:DISCharge1** and **:SEquence:TIME:CHARge**), if they are written together in sequence, the common section (here, **:SEquence:TIME:**) may be omitted after its initial occurrence.

This common section is called the “current path” (analogous to the path concept in computer file storage), and until it is cleared, the interpretation of subsequent commands presumes that they share the same common section.

This usage of the current path is shown in the following example:

Full expression

:SEquence:TIME:DISCharge1 1,10; :SEquence:TIME:CHARge 1,20

Compacted expression

:SEquence:TIME:DISCharge1 1,10; CHARge 1,20



This section becomes the current path, and can be omitted from the messages immediately following.

The current path is cleared when the power is turned on, when reset by key input, by a colon “:” at the start of a command, and when a message terminator is detected.

Standard command messages can be executed regardless of the current path. They have no effect upon the current path.

A colon “:” is not required at the start of the header of a Simple or Compound command. However, to avoid confusion with abbreviated forms and operating mistakes, we recommend always placing a colon at the start of a header.

Output Queue and Input Buffer

■ Output Queue

Response messages are stored in the output queue until read by the controller. The output queue is also cleared in the following circumstances:

- Power on

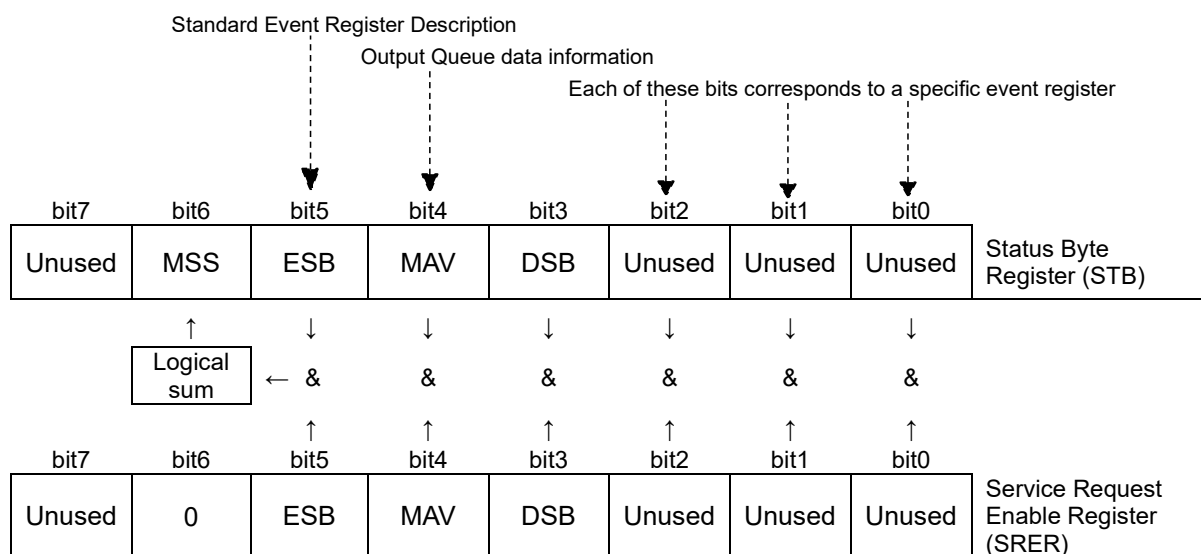
■ Input Buffer

The input buffer capacity of the instrument is 256 bytes.

If 10k bytes are allowed to accumulate in this buffer so that it becomes full, the interface will not accept data beyond 10k bytes.

Note: Ensure that no command ever exceeds 10k bytes.

Status Byte Register



Overview of Service Request Occurrence

The Status Byte Register contains information about the event registers and the output queue. Required items are selected from this information by masking with the Service Request Enable Register. When any bit selected by the mask is set, bit 6 (MSS; the Master Summary Status) of the Status Byte Register is also set.

■ Status Byte Register (STB)

When any Status Byte Register bit enabled by the Service Request Enable Register has switched from 0 to 1, the MSS bit becomes 1.

Although the MSS bit is only read by an ***STB?** query, it is not cleared until a clear event is initiated by the ***CLS** command.

Bit 7	ERR	
Bit 6	MSS	This is the logical sum of the other bits of the Status Byte Register.
Bit 5	ESB	Standard Event Status (logical sum) bit This is logical sum of the Standard Event Status Register.
Bit 4	MAV	Message arrival
Bit 3	DSB	Event summary (logical sum) bit 1 This is logical sum of the Event Status Register.
Bit 2	-	Unused
Bit 1	-	Unused
Bit 0	-	Unused

■ Service Request Enable Register (SRER)

This register masks the Status Byte Register. Setting a bit of this register to 1 enables the corresponding bit of the Status Byte Register to be used.

Event Registers

■ Standard Event Status Register (SESR)

The Standard Event Status Register is an 8-bit register. If any bit in the Standard Event Status Register is set to 1 (after masking by the Standard Event Status Enable Register), bit 5 (ESB) of the Status Byte Register is set to 1.

See: “Standard Event Status Register (SESR) and Standard Event Status Enable Register (SESER)” (p.7)

The Standard Event Status Register is cleared in the following situations:

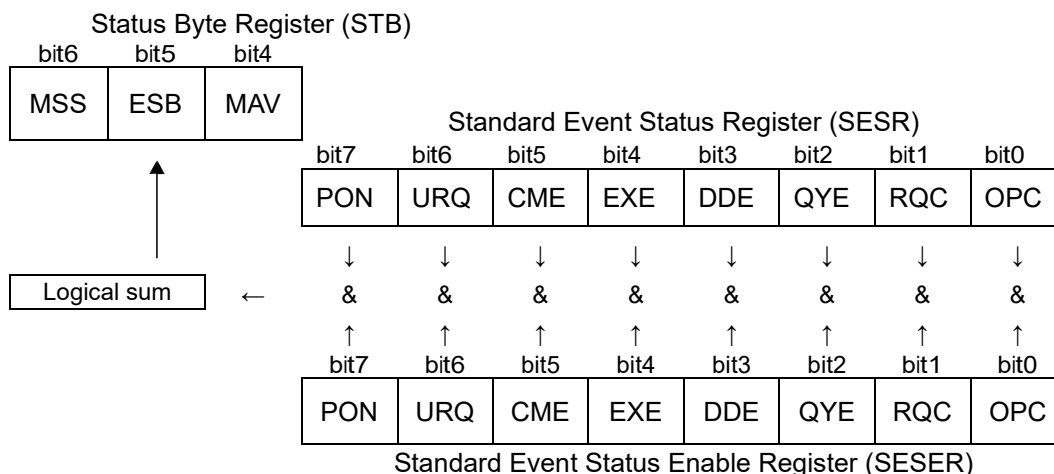
- When a ***CLS** command is executed
- When an event register query (***ESR?**) is executed
- When the instrument is powered on

Bit 7	PON	Power-On Flag Set to 1 when the power is turned on, or upon recovery from an outage.
Bit 6	(Unused) URQ	User Request
Bit 5	CME	Command error (The command to the message terminator is ignored.) This bit is set to 1 when a received command contains a syntactic or semantic error: <ul style="list-style-type: none"> • Program header error • Incorrect number of data parameters • Invalid parameter format • Received a command not supported by the instrument
Bit 4	EXE	Execution Error This bit is set to 1 when a received command cannot be executed for some reason. <ul style="list-style-type: none"> • The specified data value is outside of the set range • The specified setting data cannot be set • Execution is prevented by some other operation being performed
Bit 3	(Unused) DDE	Device-Dependent Error This bit is set to 1 when a command cannot be executed due to some reason other than a command error, a query error or an execution error.
Bit 2	(Unused) QYE	Query Error (the output queue is cleared) This bit is set to 1 when a query error is detected by the output queue control. <ul style="list-style-type: none"> • When an attempt has been made to read an empty output queue (GP-IB only) • When the data overflows the output queue • When data in the output queue has been lost • When the next command is received while there is data in the output queue
Bit 1	(Unused) RQC	Request Control
Bit 0	OPC	Operation Complete This bit is set to 1 in response to an *OPC command. <ul style="list-style-type: none"> • It indicates the completion of operations of all messages up to the *OPC command

■ Standard Event Status Enable Register (SESER)

Setting any bit of the Standard Event Status Enable Register to 1 enables access to the corresponding bit of the Standard Event Status Register.

Standard Event Status Register (SESR) and Standard Event Status Enable Register (SESER)



■ Device-Specific Event Status Registers (DESR)

This instrument provides two Event Status Registers for controlling events. Each event register is an 8-bit register.

When any bit in one of these Event Status Registers enabled by its corresponding Event Status Enable Register is set to 1, Status Byte Register, bit 3 (DSB) is set to 1.

Event Status Registers are cleared in the following situations:

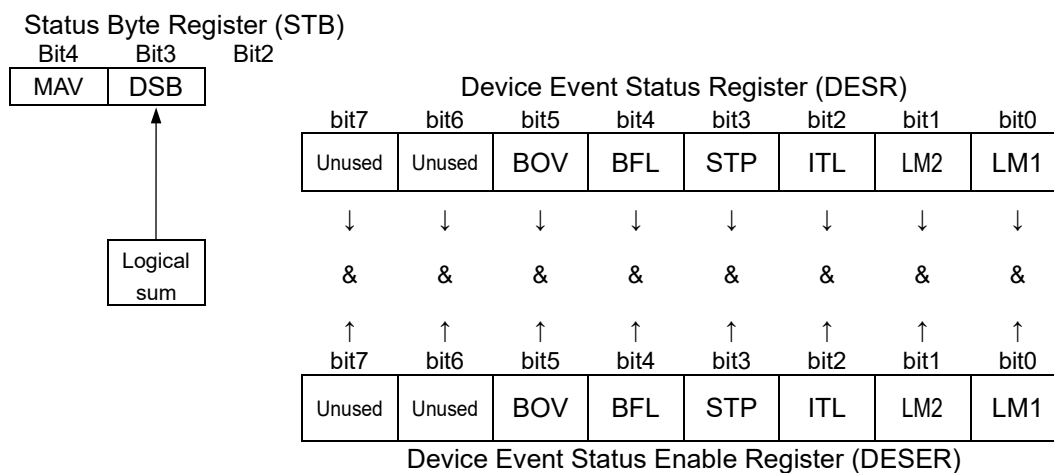
- When a ***CLS** command is executed
- When an Event Status Register query (**:DSR?**) is executed
- When the instrument is powered on

Device Event Status Register (DESR)		
Bit 7		Unused
Bit 6		Unused
Bit 5	BOV	Measured data buffer overflow Set when data is lost due to overflow of the measured data buffer. Reset by reading this register.
Bit 4	BFL	Measure data buffer full Set when the measured data buffer becomes full. Reset when the buffer becomes empty.
Bit 3	STP	Measurement stop event Set by one of the following factors: The [STOP] key is pressed. The interlock function was activated. STOP was input by the handler interface. Reset by reading this register.
Bit 2	ITL	Interlock state Set when the interlock function is activated and start is disabled Reset when start is enabled.
Bit 1	LM2	Reserved bit
Bit 0	LM1	Reserved bit

■ Device-Specific Event Status Enable Register (DESER)

Setting any bit of the Device-Specific Event Status Enable Register to 1 enables access to the corresponding bit of the Standard Event Status Register.

Device-Specific Event Status Register (DESR) and Device-Specific Event Status Enable Register (DESER)



■ Register Reading and Writing

Register	Read	Write
Status Byte Register	*STB?	-
Service Request Enable Register	*SRE?	*SRE
Standard Event Status Register	*ESR?	-
Standard Event Status Enable Register	*ESE?	*ESE
Device Event Status Register 0	:DSR?	-
Device Event Status Enable Register 0	:DSE?	:DSE

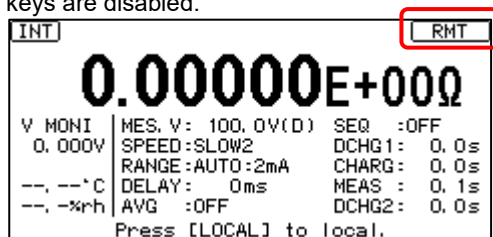
Initialization Items

Item	Initialization Method	At Power-on	*RST Command	:RESet:SYS Tem Command	:RESet:NOR Mal Command	*CLS Command
Interface setting		-	-	-	-	-
Device-specific functions (range, etc.)		-	●	●	●	-
Panel save data		-	-	●	-	-
Input buffer		●	-	-	-	-
Status Byte Register		●	-	-	-	●
Event registers		●*1	-	-	-	●
Enable register		●	-	-	-	-
Current path		●	-	-	-	-
Headers on/off		OFF	-	-	-	-

*1. Except the PON bit (bit 7).

Local Function

The Remote state is entered during communication. [RMT] is displayed in the measurement display and operation keys are disabled.



■ Canceling the Remote state

- Pressing the **LOCAL** key on the front panel cancels the Remote state and enables key operations.
- Sending **:SYSTEM:LOCAL** command can also cancel the Remote state.

Command Execution Time

Command execution time indicates the time for analyzing and processing long form commands.

- Display delays may occur depending on the frequency of communication processes and process contents.
- In communications with the controller, time must be added for data transmission. Transfer time depends on the controller.

The Transfer time, with start bit 1, data length 8, no parity, and stop bit 1, has a total of 10-bit. When the transfer speed (baud rate) setting is N bps, the general result will be as follows:

$$\text{Transfer time } T \text{ [1 character/sec]} = \text{Baud rate } N \text{ [bps]} / 10 \text{ [bits]}$$

If a measurement value is 11 characters, a 1 data transfer time will be $11/T$.

(Example) For 9600 bps, $11/(9600/10) = \text{Approx. } 11 \text{ ms}$

Errors During Communications

An error occurs when messages are executed in the following cases:

- **Command Error**
When message syntax (spelling) is invalid
When the data format in a command or query is invalid
- **Execution Error**
When invalid character or numeric data is present

2 Message List

category	command	function
Standard Commands	*IDN?	Query Instrument ID (Identification Code)
	*RST	Internal Operation
	*TST?	Execute Self-Test and Query Result
	*OPC	Set OPC bit of SESR when Finished with All Pending Operations
	*OPC?	Respond with ASCII "1" when Finished with All Pending Operations
	*WAI	Wait for Pending Commands to Finish
	*CLS	Clear Event Register, Status Byte Register (Except Output Queue)
	*ESE	Set Standard Event Status Enable Register (SESER)
	*ESE?	Query Standard Event Status Enable Register (SESER)
	*ESR?	Query and Clear Standard Event Status Register (SESR)
	*SRE	Set Service Request Enable Register (SRER)
	*SRE?	Query Service Request Enable Register (SRER)
	*STB?	Query Status Byte and MSS Bit
	*TRG	Request a Sample
Measurement status	:STARt	Measurement start
	:STOP	Measurement stop
	:STOP:CONDition	Set output condition
	:STOP:CONDition?	Query output condition
	:STATe?	Query measurement status
Reading Measured Values	:MEASure?	Query Measurement value
	:MEASure:COMParator?	Query Judgment of Measured Value
	:MEASure:RESult?	Query Measurement value and Judgment
	:MEASure:CLEar	Clear Measuremt Value and Judgment Value
Voltage Monitor	:MEASure:MONItor?	Query Voltage Monitor value
Temperture and Humidity value	:MEASure:TEMPerature?	Query Temperture value
	:MEASure:HUMidity?	Query Humidity value
Measured value display mode	:MEASure:MODE	Set Measured value display mode
	:MEASure:MODE?	Query Measured value display mode
Measuremt Format	:MEASure:FORMat	Set Measuremt format
	:MEASure:FORMat?	Query Measuremt format
The Number of Displayed digits	:MEASure:DIGit	Set The Number of Displayed digits
	:MEASure:DIGit?	Query The Number of Displayed digits
Applied Voltage	:VOLTage	Set Applied Voltage
	:VOLTage?	Query Applied Voltage
Power Source	:POWer:SOUrce	Set Power Source
	:POWer:SOUrce?	Query Power Source
Measurement Speed	:SPEEd	Set Measurement Speed
	:SPEEd?	Query Measurement Speed
Range	:RANGe	Set Current Range
	:RANGe?	Query Current Range
	:RANGe:AUTO	Set Auto Range
	:RANGe:AUTO?	Query Auto Range
	:RANGe:AUTO:TIMEout	Set Auto Range Timeout
	:RANGe:AUTO:TIMEout?	Query Auto Range Timeout
Delay	:DELay	Set Delay time
	:DELay?	Query Delay time
Average	:AVERage	Set Average
	:AVERage?	Query Average
	:AVERage:COUNT	Set average hold times
	:AVERage:COUNT?	Query average hold times

category	command	function
Sequence Program function	:SEquence:STATe	Set Sequence Program
	:SEquence:STATe?	Query Sequence Program
	:SEquence:NUMBer	Set Sequence program number
	:SEquence:NUMBer?	Query Sequence program number
	:SEquence:TIME	Set Sequence time
	:SEquence:TIME?	Query Sequence time
	:SEquence:TIME:DISChargE1	Set Sequence Discharge time
	:SEquence:TIME:DISChargE1?	Query Sequence Discharge time
	:SEquence:TIME:CHARge	Set Sequence charge time
	:SEquence:TIME:CHARge?	Query Sequence charge time
	:SEquence:TIME:MEASure	Set Sequence measurement time
	:SEquence:TIME:MEASure?	Query Sequence measurement time
	:SEquence:TIME:DISChargE2	Set Sequence Discharge time
	:SEquence:TIME:DISChargE2?	Query Sequence Discharge time
:SEquence:MEASure?	Start sequence measurement and query results	
Voltage value setting for resistance calculation	:VMODE	Set Vltage value setting for resistance calculation
	:VMODE?	Query Voltage value setting for resistance calculation
	:VMODE:VOLTage	Set External Voltage value
	:VMODE:VOLTage?	Query External Voltage value
Trigger	:TRIGger	Set Trigger Source
	:TRIGger?	Query Trigger Source
Self-Calibration	:CALibration?	Execute and Query Self-Calibration
	:CALibration:AUTO	Set Self-Calibration AUTO
	:CALibration:AUTO?	Query Self-Calibration AUTO
	:CALibration:TIME	Set Self-Calibration time
	:CALibration:TIME?	Query Self-Calibration time
Interlock	:INTerlock	Set Interlock state
	:INTerlock?	Query Interlock state
Current Limit	:CHARge:LIMit	Set current limit
	:CHARge:LIMit?	Query current limit
	:CHARge:LIMit:CURRent	Set total current limit
	:CHARge:LIMit:CURRent?	Query total current limit
Contact check	:CONtactcheck:FREQuency	Set contact check frequency
	:CONtactcheck:FREQuency?	Query contact check frequency
	:CONtactcheck:WORkC	Set contact check range
	:CONtactcheck:WORkC?	Query contact check range
	:CONtactcheck:CABLe	Set contact check cable length
	:CONtactcheck:CABLe?	Query contact check cable length
	:CONtactcheck:CABLe:AUTO?	Query contact check cable length auto
	:CONtactcheck:DELay	Set contact check delay
	:CONtactcheck:DELay?	Query contact check delay
	:OPEN?	Query Jig capacity open correction
	:OPEN:VALue?	Query Jig capacity open value
	:OPEN:ERRor?	Query Jig capacity open judgment
	:CONtactcheck:STATe	Set contact check state
	:CONtactcheck:STATe?	Query contact check state
	:CONtactcheck:LIMit	Set contact check limit
	:CONtactcheck:LIMit?	Query contact check limit
	:CONtactcheck?	Execute and Query contact check
	:CONtactcheck:VALue?	Query contact check value

category	command	function
Drawing update during measurement	:DISPlay:UPDate	Set drawing update during measurement
	:DISPlay:UPDate?	Query drawing update during measurement
Resistivity measurement	:ELECTric:D1	Set Diameter of the main electrode (D1)
	:ELECTric:D1?	Query Diameter of the main electrode (D1)
	:ELECTric:D2	Set Internal Diameter of the counter electrode (D2)
	:ELECTric:D2?	Query Internal Diameter of the counter electrode (D2)
	:ELECTric:T	Set Thickness of sample(t)
	:ELECTric:T?	Query Thickness of sample(t)
	:ELECTric:K	Set Electrode constant (K)
	:ELECTric:K?	Query Electrode constant (K)
Sweep function	:SWEep:STATe	Set Sweep measurement
	:SWEep:STATe?	Query Sweep measurement
	:SWEep:AUTOlist:STEP	Set start volt, end volt and step volt
	:SWEep:AUTOlist:STEP?	Query start volt, end volt and step volt
	:SWEep:AUTOlist:NUMBer	Set start volt, end volt and step number
	:SWEep:AUTOlist:NUMBer?	Query start volt, end volt and step number
	:SWEep:TIME:HOLD	Set hold delay time
	:SWEep:TIME:HOLD?	Query hold delay time
	:SWEep:TIME:DELay	Set measurement delay time
	:SWEep:TIME:DELay?	Query measurement delay time
	:SWEep:TIME:STEP	Set step time
	:SWEep:TIME:STEP?	Query step time
	:SWEep:COMParator:FAIL:STOP	Set fail stop function
	:SWEep:COMParator:FAIL:STOP?	Query fail stop function
	:SWEep:COMParator:FINE:AUTO	Set automatic detail step function
	:SWEep:COMParator:FINE:AUTO?	Query automatic detail step function
	:SWEep:REVerse	Set reverse function
	:SWEep:REVerse?	Query reverse function
	:SWEep:LIST:CLEar	All steps clear
	:SWEep:LIST:DATA	Set list data
	:SWEep:LIST:DATA?	Query list data
	:SWEep:LIST:COUNT	Set step number
	:SWEep:LIST:COUNT?	Query step number
	:SWEep:MEASure?	Start sweep measurement and query results
:SWEep:MEASure:EXECute?	Start sweep measurement and query completion of measurement	
Comparator	:COMParator:LIMit	Set Comparator
	:COMParator:LIMit?	Query Comparator
	:COMParator:BEEPer	Set Comparator Beeper
	:COMParator:BEEPer?	Query Comparator Beeper
Panel saving and loading	:PANel:SAVE	Set Panel saving
	:PANel:SAVE?	Query already panel saving
	:PANel:LOAD	Load panel data
	:PANel:NAME	Set panel name
	:PANel:NAME?	Query panel name
	:PANel:CLEar	Delete panel data
Key Beeper	:KEY:BEEPer	Set Key Beeper
	:KEY:BEEPer?	Query Key Beeper
Key-lock	:SYSTem:KLOCK	Set Key-Lock State
	:SYSTem:KLOCK?	Query Key-Lock State
Internal memory	:MEMory?	Query measurement value in memory
	:MEMory:RANGe?	Query measurement value in memory (range specification)
	:MEMory:STATe	Set memory state
	:MEMory:STATe?	Query memory state
	:MEMory:COUNt?	Query number of measurement value
	:MEMory:CLEar	Set Memory clear

category	command	function
Voltage monitor check	:VCHeck?	Set and Query Voltage monitor check
	:VCHeck:STATe	Query Voltage monitor check state
	:VCHeck:STATe?	Set Voltage monitor check state
	:VCHeck:LIMit	Set Voltage monitor check limit
	:VCHeck:LIMit?	Query Voltage monitor check limit
Double action	:DOUBleaction	Set double action
	:DOUBleaction?	Query double action
LCD	:DISPlay:MODE	Set Display Mode
	:DISPlay:MODE?	Query Display Mode
	:DISPlay:CONTrast	Set Contrast
	:DISPlay:CONTrast?	Query Contrast
	:DISPlay:BACKlight	Set Backlight
	:DISPlay:BACKlight?	Query Backlight
Line Frequency	:SYSTem:LFRequency	Set Line Frequency
	:SYSTem:LFRequency?	Query Line Frequency
	:SYSTem:LFRequency:AUTO?	Query Automatic detection Line Frequency
Reset	:RESet	Initialize Instrument (System Reset)
Externall/O	:IO:EDGE	Set Trigger edge
	:IO:EDGE?	Query Trigger edge
	:IO:FILTer:STATe	Set TRIG Signal's Filter
	:IO:FILTer:STATe?	Query TRIG Signal's Filter
	:IO:FILTer:TIME	Set TRIG Signal's Filter Tim
	:IO:FILTer:TIME?	TRIG Signal's Filter Tim
	:IO:GOLogic	Set GO-signal outputting logic level
	:IO:GOLogic?	Query GO-signal outputting logic level
	:IO:EOM:MODE	Set EOM Output Method
	:IO:EOM:MODE?	Query EOM Output Method
	:IO:EOM:PULSe	Set EOM Pulse Width
	:IO:EOM:PULSe?	Query EOM Pulse Width
	:IO:OUTPin?	Query Output Pin Status
	:IO:MODE?	Query NPN/PNP Switch Status
Device Event Status Enable Register	:DSE	Set Device Event Status Enable Register
	:DSE?	Query Device Event Status Enable Register
	:DSR?	Query Device Event Status Register
Command header	:HEADer	Set Header Presence
	:HEADer?	Query Header Presence
Communication setting	:SYSTem:LOCal	Return to Local Control
	:SYSTem:TERMinator	Set Delimiter
	:SYSTem:TERMinator?	Query Delimiter

3 Message Reference

Message Reference Interpretation

< >: Indicates the contents (character or numeric parameters) of the data section of a message. Character parameters are returned as all capital letters.

Numeric Parameters:

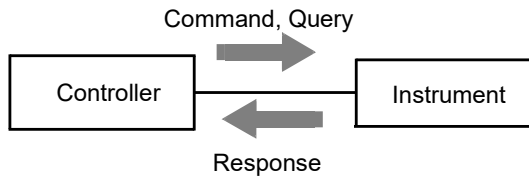
- NRf Number format may be any of NR1, NR2 and NR3
- NR1 Integer data (e.g.: +12, -23, 34)
- NR2 Fixed-point data (e.g.: +1.23, -23.45, 3.456)
- NR3 Floating-point exponential representation data (e.g.: +1.0E-2, -2.3E+4)

Shows the command description.

Shows the message syntax.
Explains the command data or response message.
Describes the message.

Shows an example of an actual command application. (Normally described with HEADER OFF [except the HEADER command itself].)

Read/Write the Standard Event Status Enable Register (SESER)																										
Syntax	Command	*ESE <0 to 255 (NR1)>																								
	Query	*ESE?																								
	Response	<0 to 255 (NR1)>																								
Description	Command	The SESER mask is set to the numerical value 0 to 255. The initial value (at power-on) is 0.																								
	Query	The contents of the SESER, as set by the *ESE command, are returned as an NR1 value (0 to 255).																								
<table border="1" style="margin-left: auto; margin-right: auto;"> <tr> <td>128</td><td>64</td><td>32</td><td>16</td><td>8</td><td>4</td><td>2</td><td>1</td> </tr> <tr> <td>bit 7</td><td>bit 6</td><td>bit 5</td><td>bit 4</td><td>bit 3</td><td>bit 2</td><td>bit 1</td><td>bit 0</td> </tr> <tr> <td>PON</td><td>URQ</td><td>CME</td><td>EXE</td><td>DDE</td><td>QYE</td><td>RQC</td><td>OPC</td> </tr> </table>			128	64	32	16	8	4	2	1	bit 7	bit 6	bit 5	bit 4	bit 3	bit 2	bit 1	bit 0	PON	URQ	CME	EXE	DDE	QYE	RQC	OPC
128	64	32	16	8	4	2	1																			
bit 7	bit 6	bit 5	bit 4	bit 3	bit 2	bit 1	bit 0																			
PON	URQ	CME	EXE	DDE	QYE	RQC	OPC																			
Example	*ESE 36	(Sets bits 5 and 2 of SESER)																								



Standard Commands

(1) System Data Command

Query Instrument ID (Identification Code)

Syntax	Query	*IDN?
	Response	<Manufacturer name>,<Model name>,<Serial number>,<Software version>

Example ***IDN?**
 HIOKI, SM7110,123456,V1.00
 The Instrument ID is HIOKI SM7110, serial number 123456, software version 1.00.

(2) Internal Operation Command

Initialize Instrument (Normal Reset)

Syntax	Command	*RST
---------------	---------	-------------

Description Command Resets the instrument to factory settings excluding the communication state, zero adjustment value and saved data.(Normal Reset)
 The initial display is displayed after initialization.

Note The communication state is not initialized.
 Use the **:RESet:SYSTem** command to initialize the zero adjustment value and saved data.

Execute Self-Test and Query Result

Syntax	Query	*TST?
	Response	<0 to 1 (NR1)>
		<0> = No error
		<1> = ROM error

Description Perform the instrument self-test and return the result as NR1 value 0 or 1.
 Returns zero when no error occurs.

Example ***TST?**
 1
 A ROM error occurred.

(3) Synchronization Commands

Set OPC bit of SESR when Finished with All Pending Operations

Syntax	Command	*OPC
---------------	---------	-------------

Description Sets OPC bit 0 of the Standard Event Status Register (SESR) when all commands prior to ***OPC** have finished processing.

Example **A;B;*OPC;C**
 The OPC bit of SESR is set after A and B command processing has been completed.

Respond with ASCII "1" when Finished with All Pending Operations

Syntax	Query	*OPC?
	Response	1

Description Response with ASCII "1" when all commands prior to ***OPC** have finished processing.

Wait for Pending Commands to Finish

Syntax	Command	*WAI
Description	The instrument waits until all prior commands finish before executing any subsequent commands.	
Example	<pre>:TRIGger EXTernal *TRG;*WAI;MEASure?</pre> <p>Reads the measurement value after waiting for the measurement triggered by the *TRG command to finish.</p>	
Note	The *WAI command is accepted, as it is a mandatory command under IEEE Standard 488.2-1987. However, since all the device-specific commands implemented in this instrument, except the *TRG are sequential, the *WAI command has no effect even if used.	

(4) Status and Event Control Commands

Clear Event Register, Status Byte Register (Except Output Queue)

Syntax	Command	*CLS
Description	Clears the event status registers. The Status Byte Register bits corresponding to the event status registers are also cleared. (STB, SESR, DESR)	
Note	The output queue is unaffected.	

Set and Query Standard Event Status Enable Register (SESER)

Syntax	Command	*ESE <0 to 255(NR1)>																								
	Query	*ESE?																								
	Response	<0 to 255(NR1)>																								
Description	Command	The SESER mask is set to the numerical value 0 to 255. The initial value (at power-on) is 0.																								
	Query	The contents of the SESER, as set by the *ESE command, are returned as an NR1 value (0 to 255).																								
		<table style="margin-left: auto; margin-right: auto;"> <tr> <td>128</td><td>64</td><td>32</td><td>16</td><td>8</td><td>4</td><td>2</td><td>1</td> </tr> <tr> <td>bit 7</td><td>bit 6</td><td>bit 5</td><td>bit 4</td><td>bit 3</td><td>bit 2</td><td>bit 1</td><td>bit 0</td> </tr> <tr> <td style="border: 1px solid black;">PON</td><td style="border: 1px solid black;">Unused</td><td style="border: 1px solid black;">CME</td><td style="border: 1px solid black;">EXE</td><td style="border: 1px solid black;">Unused</td><td style="border: 1px solid black;">Unused</td><td style="border: 1px solid black;">Unused</td><td style="border: 1px solid black;">OPC</td> </tr> </table>	128	64	32	16	8	4	2	1	bit 7	bit 6	bit 5	bit 4	bit 3	bit 2	bit 1	bit 0	PON	Unused	CME	EXE	Unused	Unused	Unused	OPC
128	64	32	16	8	4	2	1																			
bit 7	bit 6	bit 5	bit 4	bit 3	bit 2	bit 1	bit 0																			
PON	Unused	CME	EXE	Unused	Unused	Unused	OPC																			
Example	*ESE 32	Sets bit 5 of SESER.																								

Query and Clear Standard Event Status Register (SESR)

Syntax	Query	*ESR?																								
	Response	<0 to 255 (NR1)>																								
Description	Returns the contents of the SESR as an NR1 value from 0 to 255, then clears register contents. The response message has no header.																									
		<table style="margin-left: auto; margin-right: auto;"> <tr> <td>128</td><td>64</td><td>32</td><td>16</td><td>8</td><td>4</td><td>2</td><td>1</td> </tr> <tr> <td>bit 7</td><td>bit 6</td><td>bit 5</td><td>bit 4</td><td>bit 3</td><td>bit 2</td><td>bit 1</td><td>bit 0</td> </tr> <tr> <td style="border: 1px solid black;">PON</td><td style="border: 1px solid black;">Unused</td><td style="border: 1px solid black;">CME</td><td style="border: 1px solid black;">EXE</td><td style="border: 1px solid black;">Unused</td><td style="border: 1px solid black;">Unused</td><td style="border: 1px solid black;">Unused</td><td style="border: 1px solid black;">OPC</td> </tr> </table>	128	64	32	16	8	4	2	1	bit 7	bit 6	bit 5	bit 4	bit 3	bit 2	bit 1	bit 0	PON	Unused	CME	EXE	Unused	Unused	Unused	OPC
128	64	32	16	8	4	2	1																			
bit 7	bit 6	bit 5	bit 4	bit 3	bit 2	bit 1	bit 0																			
PON	Unused	CME	EXE	Unused	Unused	Unused	OPC																			
Example	*ESR? 32	Bit 5 of the SESR has been set to 1.																								

Set and Query Service Request Enable Register (SRER)

Syntax

Command	*SRE <0 to 255 (NR1)>
Query	*SRE?
Response	<0 to 255 (NR1)>

Description

Command	The SRER mask is set to the numerical value 0 to 255. Although NRf numerical values are accepted, values to the right of the decimal are rounded to the nearest integer. Bit 6 and unused bits 2, 3 and 7 are ignored. The data is initialized to 0 at power-on.
Query	The contents of the SRER, as set by the *SRE command, are returned as an NR1 value (0 to 255). Bit 6 and unused bits 2, 3 and 7 always return as zero.

128	64	32	16	8	4	2	1
bit 7	bit 6	bit 5	bit 4	bit 3	bit 2	bit 1	bit 0
ERR	0	ESB	MAV	DSB	Unused	Unused	MEC

Example

***SRE 33**
Set SRER bits 0 and 5 to 1.

***SRE?**
33
SRER bits 0 and 5 have been set to 1.

Query Status Byte and MSS Bit

Syntax

Query	*STB?
Response	<0 to 255 (NR1)>

Description

The contents of the STB are returned as an NR1 value (0 to 255). The response message has no header.

128	64	32	16	8	4	2	1
bit 7	bit 6	bit 5	bit 4	bit 3	bit 2	bit 1	bit 0
ERR	MSS	ESB	MAV	DSB	Unused	Unused	MEC

Example

***STB?**
1
STB bit 0 has been set to 1.

Request a Sample

Syntax

Command	*TRG
---------	-------------

Description

Performs one measurement when external triggering (trigger source <EXTERNAL>) is enabled.

Example

:TRIGger EXTERNAL
***TRG;MEASure?**
Reads the measurement value after waiting for the measurement triggered by ***TRG** command to finish.

Note

An execution error occurs when the trigger source is **:TRIGger INTERNAL**

Device-Specific Commands

(1) Measurement status

Measurement start

Syntax command **:START**
Description Measuremet start.
Example **:START**
 Measuremet start.

Measurement stop

Syntax command **:STOP**
Description Measuremet stop.
Example **:STOP**
 Measuremet stop.

Set and Query output condition

Syntax Command **:STOP:CONDition** <DISCharge/HIZ>
 Query **:STOP:CONDition?**
 Response <DISCHARGE/HIZ>

Description DISCharge:Discharge
 HIZ:High inpeadance
Example **:STOP:CONDition DISCharge**
 Setting the Discharge mode.
:STOP:CONDition?
DISCHARGE
 Now Setting is Discharge mode.

Query measurement status

Syntax Query **:STATe?**
 Response <0~4 (NR1)>

Description

Response	Normal mode	Sequence mode
0	Stop	Stop
1	Trigger wait	Discharge1
2	INDEX	Charge
3	EOM	Measurement
4	-	Discharge2

Example **:STATe?**
0
 Now stopping.

(2) Reading Measured Values

Query Measurement value

Syntax Query **:MEASure?**

Response **<measurement value(NR3)>**

Description Returns the measurement value for measured value display mode and the number of displayed digits

Example **:MEASure?**
6.33802E-12

Measurement data is 6.33802pA (For current measurement mode)

Query Judgment of Measured Value

Syntax Query **:MEASure:COMParator?**

Response **<NO/HI/IN/LO>**

Description Return the judgment of measured value

Example **:MEASure:COMParator?**

HI

Judgment of Measured Value has been HI

Query Measurement value and Judgment

Syntax Query **:MEASure:RESult? <1~255>**

Response **<Measurent value and judgment value>**

Description Return the measurement value and judgment value for camma
Response data is set to 0 to 255

128 bit 7	64 bit 6	32 bit 5	16 bit 4	8 bit 3	4 bit 2	2 bit 1	1 bit 0
Voltage check result	Contact check result	Humidity	Temperature	Voltage Monitor	Judgment value	Measurement value	Status

Status:

Priority	Response	Status	Example of measured values
HIGH ↑	5	Contact check function is ON and result is NG (Unchecked is NG).	55.5555E+30
	1	No measurement after power turned on No measurement after clearing value.	00.0000E-12
	9	Current Over Range.	99.9999E+30
↓ LOW	7	Voltage monitor check function is ON and result is NG (Unchecked is NG).	(Normal measurement value)
	3	Outside of fuaranteed accuracy range.	(Normal measurement value)
	0	Normal.	(Normal measurement value)

Measurement value: Please refer to "4 Measurement Value Format".

Judgment value:

Response	Judgment
NO	Comparator function is OFF or No judgment
HI	(Upper limit) < (Measured value)
IN	(Lower limit) ≤ (Measured value) ≤ (Upper limit)
LO	(Measured value) < (Lower limit)

Voltage Monitor:

Responds to the voltage monitor value when the command is received.
Please refer to "4 Measurement Value Format".

Temperature:

Responds to the temperature value when the command is received.
When Z2011 has not set, return temperture value has been 99.99.

Humidity:

Responds to the humidity value when the command is received.
When Z2011 has not set, return temperture value has been 99.9.

Contact check result:

Contact check function is OFF: Respond to the results of the last manual contact check.
Contact check function is ON: Response to the results of the contact check performed at the time of measurement

Response	Result
0	Unchecked or contact check result is NG.
1	Contact check result is OK.

Voltage check result:

Voltage monitor check function is OFF: Respond to the results of the last manual voltage monitor check.
Voltage monitor function is ON: Response to the results of the Voltage monitor check performed at the time of measurement.

Response	Result
0	Unchecked or voltage monitor check result is NG.
1	Voltage monitor check result is OK.

Example **:MEASure:RESult? 14**
6.33802E-12,HI,500.2

Measurent value has been 6.33802pA. Judgment value has been HI
Voltage monitor value has been 500.2V

Note When sweep measurement is ON, the voltage setpoint is responded instead of the voltage monitor value.

Clear Measurement Value and Judgment Value

Syntax command **:MEASure:CLEar**

Description Clear Measurement Value and Judgment Value

Example :MEASure:CLEar
Clear Measurement Value and Judgment Value

(3) Voltage Monitor

Query Voltage Monitor value

Syntax Query **:MEASure:MONItor?**

Response <Voltage monitor (NR2)>

Description Return the Voltage monitor value

Example :MEASure:MONItor?
500.2

Voltage monitor value has been 500.2V

Note When sweep measurement is ON, the voltage setpoint is responded instead of the voltage monitor value.

(4) Temperature and Humidity value

Query Temperature value

Syntax Query **:MEASure:TEMPerature?**

Response <Temperature(°C)(NR2)>

Description Return temperature value
When Z2011 has not set, return temperature value has been 99.99

Example :MEASure:TEMPerature?
23.45

Temperature has been 23.45°C

Query Humidity value

Syntax Query **:MEASure:HUMidity?**

Response <Humidity(%rh)(NR2)>

Description Return humidity value
When Z2011 has not set, return humidity value has been 99.99

Example :MEASure:HUMidity?
50.1

Humidity has been 50.1 %rh

(5) Measured value display mode**Set and Query Measured value display mode**

Syntax command :MEASure:MODE <R/A/RS/RV/RL>
 Query :MEASure:MODE?
 Response <R/A/RS/RV/RL>

Description R ... Resistance
 A ... Current
 RS ... Surface resistivity
 RV ... Volume resistivity
 RL ... Liquid volume resistivity

Example :MEASure:MODE R

Set Resistance mode

:MEASure:MODE?

R

Measured value mode has been Resistance

Note Execution error occurs during sweep measurement.

(6) Measurement Format**Set and Query Measurement format**

Syntax command :MEASure:FORMat <UNIT/EXP>
 Query :MEASure:FORMat?
 Response <UNIT/EXP>

Description UNIT ... Unit format
 EXP ... Exponent format

Example :MEASure:FORMat UNIT

Set unit format

:MEASure:FORMat?

UNIT

Measurement format has been Unit

(7) The Number of Displayed digits**Set and Query The Number of Displayed digits**

Syntax command :MEASure:DIGit <3~6(NR1)>
 Query :MEASure:DIGit?
 Response <3~6(NR1)>

Example :MEASure:DIGit 3

Set the number of displayed digits to 3

:MEASure:DIGit?

3

The number of displayed digits has been 3

(8) Applied Voltage

Set and Query Applied Voltage

Syntax command **:VOLTage** <Applied Voltage(V)(NR2)>
 Query **:VOLTage?**
 Response <Applied Voltage (V)(NR2)>

Description SM7110 ... <Applied Voltage (V)(NR2)> = 0.1~1000.0
 SM7120 ... <Applied Voltage (V)(NR2)> = 0.1~2000.0

Example **:VOLTage 100**
 Set to Applied Voltage to 100V.
:VOLTage?
 100
 Applied Voltage has been set to 100V.

(9) Measurement Speed

Set and Query Measurement Speed

Syntax command **:SPEEd** <SLOW2/SLOW/MED/FAST2/FAST>
 Query **:SPEEd?**
 Response <SLOW2/SLOW/MED/FAST2/FAST>

Example **:SPEEd SLOW2**
 Set measurement speed to SLOW2.
:SPEEd?
 SLOW2
 Measurement speed has been set to SLOW2.

(10) Range

Set and Query Current Range

Syntax command **:RANGe** <20pA/200pA/2nA/20nA/200nA/2uA/20uA/200uA/2mA>
 Query **:RANGe?**
 Response <20pA/200pA/2nA/20nA/200nA/2uA/20uA/200uA/2mA>

Example **:RANGe 20pA**
 Set current range to 20pA.
:RANGe?
 20pA
 Current range has been set to 20pA.

Set and Query Auto Range

Syntax command **:RANGe:AUTO** <ON/OFF>
 Query **:RANGe:AUTO?**
 Response <ON/OFF>

Description ON ... Auto range is ON.
 OFF ... Auto range is OFF (HOLD range)

Example **:RANGe:AUTO ON**
 Set auto range to ON.
:RANGe:AUTO?
 ON
 Auto range has been set to ON.

Set and Query Auto Range Timeout

Syntax command **:RANGe:AUTO:TIMEout** <ON/OFF>
 Query **:RANGe:AUTO:TIMEout?**
 Response <ON/OFF>

Description ON ... Auto range timeout is ON.
 OFF ... Auto range timeout is OFF.

Example **:RANGe:AUTO:TIMEout ON**
 Set auto range timeout to ON.
:RANGe:AUTO:TIMEout?
ON
 Auto range timeout has been set to ON.

(11) Delay

Set and Query Delay time

Syntax command **:DELay** <Delay time(s)(NR2)>
 Query **:DELay?**
 Response <Delay time(s)(NR2)>

Description <Delay time(s)(NR2)> = 0.0~999.9

Example **:DELay 12.3**
 Set delay time to 12.3 seconds
:DELay?
12.3
 Delay time has been 12.3 seconds

(12) Average

Set and Query Average

Syntax command **:AVERage** <OFF/HOLD/AUTO>
 Query **:AVERage?**
 Response <OFF/HOLD/AUTO>

Description OFF ... Average is OFF
 HOLD ... Moving average
 AUTO ... The number of times of averaging is automatically changed based on the variation of the measured values

Example **:AVERage HOLD**
 Set average to moving average
:AVERage?
HOLD
 Average has been moving average

Set and Query average hold times

Syntax command :AVERAge:COUNT <2~255(NR1)>
 Query :AVERAge:COUNT?
 Response <2~255(NR1)>

Example :AVERAge:COUNT 5
 Set average hold time to 5
 :AVERAge:COUNT?
 5
 Average hold time has been 5

(13) Sequence Program function

Set and Query Sequence Program

Syntax command :SEQuence:STATe <ON/OFF>
 Query :SEQuence:STATe?
 Response <ON/OFF>

Example :SEQuence:STATe ON
 Set sequence program to ON
 :SEQuence:STATe?
 ON
 Sequence program has been ON

Set and Query Sequence program number

Syntax command :SEQuence:NUMBer <0~9(NR1)>
 Query :SEQuence:NUMBer?
 Response <0~9(NR1)>

Example :SEQuence:NUMBer 2
 Set Sequence program number to 2
 :SEQuence:NUMBer?
 2
 Sequence program number has been 2

Set and Query Sequence time

Syntax command :SEQuence:TIME <sequence number(NR1)>,
 <discharge time(s)(NR2)>,
 <charge time(s) (NR2)>,
 <measurement time(s) (NR2)>,
 < discharge time (s) (NR2)>
 Query :SEQuence:TIME? < sequence number (NR1)>
 Response < sequence number (NR1)>,< discharge time (s) (NR2)>,
 < charge time (s) (NR2)>,< measurement time (s) (NR2)>,
 < discharge time (s) (NR2)>

Description < sequence number (NR1)> = 0~9
 < discharge time (s)(NR2)> = 0.000~999.999
 < charge time (s) (NR2)> = 0.001~999.999
 < measurement time (s) (NR2)> = 0.00~999.999
 < discharge time (s) (NR2)> = 0.000~999.999

Example :SEQuence:TIME 1,0.1,0.5,3.0,4.5
 Set sequence 1
 discharge time = 0.1 seconds charge time = 0.5 seconds
 measurement time = 3.0 seconds discharge time = 4.5 seconds
 :SEQuence:TIME? 1
 1,0.100,0.500,3.000,4.500
 sequence 1 has been upper times

Set and Query Sequence Discharge time

Syntax	command	:SEquence:TIME:DISCharge1 < sequence number (NR1)>, < discharge time (s)(NR2)>
	Query	:SEquence:TIME:DISCharge1? < sequence number (NR1)>
	Response	< sequence number (NR1)>, < discharge time (s) (NR2)>
Description		< sequence number (NR1)> = 0~9 < discharge time (s)(NR2)> = 0.000~999.999
Example		:SEquence:TIME:DISCharge1 1,0.1 Set sequence 1 discharge time to 0.1 seconds :SEquence:TIME:DISCharge1? 1 1,0.100 Sequence 1 discharge time has been 0.1 seconds

Set and Query Sequence charge time

Syntax	command	:SEquence:TIME:CHARge < sequence number (NR1)>, < charge time (s) (NR2)>
	Query	:SEquence:TIME:CHARge? < sequence number (NR1)>
	Response	< sequence number (NR1)>, < charge time (s) (NR2)>
Description		< sequence number (NR1)> = 0~9 < charge time (s) (NR2)> = 0.000~999.999
Example		:SEquence:TIME:CHARge 1,0.5 Set sequence 1 charge time to 0.5 seconds :SEquence:TIME:CHARge? 1 1,0.500 Sequence 1 charge time has been 0.5 seconds

Set and Query Sequence measurement time

Syntax	command	:SEquence:TIME:MEASure < sequence number (NR1)>, < measurement time(s) (NR2)>
	Query	:SEquence:TIME:MEASure? < sequence number (NR1)>
	Response	< sequence number (NR1)>, < measurement time (s) (NR2)>
Description		< sequence number (NR1)> = 0~9 < measurement time (s) (NR2)> = 0.001~999.999
Example		:SEquence:TIME:MEASure 1,3.0 Set sequence 1 measurement time to 3.0 seconds :SEquence:TIME:MEASure? 1 1,3.000 Sequence 1 measurement time has been 3.0 seconds

Set and Query Sequence Discharge time

Syntax	command	:SEquence:TIME:DISCharge2 < sequence number (NR1)>, < discharge time (s) (NR2)>
	Query	:SEquence:TIME:DISCharge2? < sequence number (NR1)>
	Response	< sequence number (NR1)>, < discharge time (s) (NR2)>
Description		< sequence number (NR1)> = 0~9 < discharge time (s) (NR2)> = 0.000~999.999
Example		:SEquence:TIME:DISCharge2 1,4.5 Set sequence 1 discharge time to 4.5 seconds :SEquence:TIME:DISCharge2? 1 1,4.500 Sequence 1 discharge time has been 4.5 seconds

Start sequence measurement and query results

Syntax	Query	:SEquence:MEASure? <1~255>
	Response	<Measurent value and judgment value>
Description		Starts sequence measurement and responds with a comma-delimited list of measured values, judgment results, and other data after measurement is complete. Response data is set to 0 to 255 See the description of the :MEASure:RESult? command for details on each bit.

128 bit 7	64 bit 6	32 bit 5	16 bit 4	8 bit 3	4 bit 2	2 bit 1	1 bit 0
Voltage check	Contact check	Humidity	Temperature	Voltage Monitor	Judgment value	Measurement value	Status

Example	:SEquence:MEASure? 14 6.33802E-12,HI,500.2 Measurement value has been 6.33802pA. Judgment value has been HI Voltage monitor value has been 500.2V
Note	Execution error when sequence function is off. Once this command has been sent, no other commands will be accepted until the sequence measurement is completed.

(14) Voltage value setting for resistance calculation**Set and Query Voltage value setting for resistance calculation**

Syntax command :VMODE <MESV/VMONI/EXTV>
 Query :VMODE?
 Response <MESV/VMONI/EXTV>

Description MESV ... set output voltage value
 VMONI ... measured voltage value
 EXTV ... set external voltage value

Example :VMODE MESV
 Set Voltage value setting for resistance calculation to MESV

:VMODE?
 MESV

Voltage value setting for resistance calculation has been MESV

Note Execution error when setting <EXTV> while sweep function is on.

Set and Query External Voltage value

Syntax command :VMODE:VOLTage < external voltage value (V) (NR2)>
 Query :VMODE:VOLTage?
 Response < external voltage value (V) (NR2)>

Description < external voltage value (V) (NR2)> = 0.1~5000.0

Example :VMODE:VOLTage 100
 Set external voltage value to 100V

:VMODE:VOLTage?
 100

External voltage value has been 100V

(15) Trigger**Set and Query Trigger Source**

Syntax command :TRIGger <INTernal/EXTernal>
 Query :TRIGger?
 Response <INTERNAL/EXTERNAL>

Description INTernal ... Internal triggering
 EXTernal ... External triggering

Example :TRIGger INTernal
 Set the trigger source to internal triggering.

:TRIGger?
 INTERNAL

The trigger source has been set to internal triggering.

Note Execution error when setting <EXTernal> while sweep function is on.

(16) Self-Calibration**Execute and Query Self-Calibration**

Syntax Query :CALibration?
 Response <0~1(NR1)>

Description Execute self-calibration, return judgement
 0 ... Fail (NG)
 1 ... Success(OK)

Example :CALibration?
 1
 Self-calibration has been success

Set and Query Self-Calibration AUTO

Syntax command :CALibration:AUTO <ON/OFF>
 Query :CALibration:AUTO?
 Response <ON/OFF>

Example :CALibration:AUTO ON
 Set Self-calibration to AUTO
 :CALibration:AUTO?
 ON
 Self-calibration has been AUTO

Set and Query Self-Calibration time

Syntax command :CALibration:TIME <time(s)(NR1)>
 Query :CALibration:TIME?
 Response <time(s)(NR1)>

Description <time(s)(NR2)> = 1~600

Example :CALibration:TIME 60
 Set self-calibration time to 60 seconds
 :CALibration:TIME?
 60
 Self-calibration time has been 60 seconds

(17) Interlock

Set and Query Interlock state

Syntax command :INTerlock <ON/OFF>
 Query :INTerlock?
 Response <ON/OFF>

Description < ON/ OFF >

Example :INTerlock ON
 Set interlock to ON
 :INTerlock?
 ON
 Interlock has been ON

(18) Current Limit

Set and Query current limit

Syntax command :CHARge:LIMit <ON/OFF>
 Query :CHARge:LIMit?
 Response <ON/OFF>

Description < ON / OFF >

Example :CHARge:LIMit ON
 Set current limit to ON
 :CHARge:LIMit?
 ON
 Current limit has been ON

Set and Query total current limit

Syntax command :**CHARge:LIMit:CURRent** <1.8mA/5mA/10mA/50mA>
 Query :**CHARge:LIMit:CURRent?**
 Response <1.8mA/5mA/10mA/50mA>

Description Set total current limit

Example :**CHARge:LIMit:CURRent** 5mA
 Set total current limit to 5mA
 :**CHARge:LIMit:CURRent?**
 5mA
 Total current limit has been 5mA

(19) Contact check

Set and Query contact check frequency

Syntax command :**CONtactcheck:FREQuency** <245kHz/300kHz>
 Query :**CONtactcheck:FREQuency?**
 Response <245kHz/300kHz>

Example :**CONtactcheck:FREQuency** 245kHz
 Set contact check frequency to 245kHz
 :**CONtactcheck:FREQuency?**
 245kHz
 Contact check frequency has been 245kHz

Set and Query contact check range

Syntax command :**CONtactcheck:WORKc** <NORMal/LOW>
 Query :**CONtactcheck:WORKc?**
 Response <NORMal/LOW >

Description NORMal ...capacitor upper 10pF
 LOW ... capacitor Lower 10pF

Example :**CONtactcheck:WORKc** NORMal
 Set contact check frequency to Normal
 :**CONtactcheck:WORKc?**
 NORMAL
 Contact check frequency has been Normal

Set and Query contact check cable length

Syntax command :**CONtactcheck:CABLe** <cable length(m)(NR2)>
 Query :**CONtactcheck:CABLe?**
 Response < cable length (m)(NR2)>

Description < cable length (m)(NR2)> = 0.5~3.0

Example :**CONtactcheck:CABLe** 2.0
 Set contact check cable length to 2.0m
 :**CONtactcheck:CABLe?**
 2.0
 Contact check cable length has been 2.0m

Query contact check cable length auto

Syntax Query **:CONtactcheck:CABLe:AUTO?**

Response **<0~1(NR1)>**

Description 0 ... cable length auto OFF
1 ... cable length auto ON

Example **:CONtactcheck:CABLe:AUTO?**
1
Contact check calbe length auto has been ON

Set and Query contact check delay

Syntax command **:CONtactcheck:DELay** <delay time(s)(NR2)>

Query **:CONtactcheck:DELay?**

Response **< delay time(s)(NR2)>**

Description <delay time(s)(NR2)> = 0.0~9.999

Example **:CONtactcheck:DELay 1.23**
Set delay time to 1.23 seconds
:CONtactcheck:DELay?
1.230
Delay time has been 1.23 seconds

Query Jig capacity open correction

Syntax Query **:OPEN?**

Response **<0~1(NR1)>**

Description Execute jig capacity open, return the judgment
0 ... Fail (NG)
1 ...Success (OK)

Example **:OPEN?**
1
Success jig capacity open

Query Jig capacity open value

Syntax Query **:OPEN:VALue?**

Response **<open value(F)(NR3)>**

Description Return jig open value
Unexecuted ... 99.999E-99
Over ... 99.999E-12

Example **:OPEN:VALue?**
1.412E-12
Jig open value has been 1.412pF

Set and Query contact check state

Syntax command :**CONtactcheck:STATe** <ON/OFF>
 Query :**CONtactcheck:STATe?**
 Response <ON/OFF>

Description ON ... Auto execute before measurement
 OFF ... No execute

Example :**CONtactcheck:STATe** ON
 Set contact check auto execute to ON
 :**CONtactcheck:STATe?**
 ON
 Contact check auto execute has been ON

Set and Query contact check limit

Syntax command :**CONtactcheck:LIMit** < Judgment reference value(NR3)>
 Query :**CONtactcheck:LIMit?**
 Response < Judgment reference value (F)(NR3)>

Description < Judgment reference value (NR3)> = 0.00~99.99E-12

Example :**CONtactcheck:LIMit** 50E-12
 Set contact check limit to 50pF
 :**CONtactcheck:LIMit?**
 50.00E-12
 Contact check limit has been 50pF

Execute and Query contact check

Syntax Query :**CONtactcheck?**
 Response <0~1(NR1)>

Description Execute contact check, return judgment
 0 ... contact check NG
 1 ...contact check OK

Example :**CONtactcheck?**
 1
 Contact check has been OK

Query contact check value

Syntax Query :**CONtactcheck:VALue?**
 Response <contact check value(NR3)>

Description Return contact check value
 Unexecuted jig capacity open correction ... 99.999E-12
 Unexecuted contact check ... 99.999E-12

Example :**CONtactcheck:VALue?**
 +1.301311E-14
 Contact check value has been 1.301311E-14F

(20) Drawing update during measurement**Set and Query drawing update during measurement**

Syntax command :DISPlay:UPDate <ON/OFF>
 Query :DISPlay:UPDate?
 Response <ON/OFF>

Description ON ... Drawing update for each measurement
 OFF ... Drawing update for only at STOP

Example :DISPlay:UPDate ON
 Set Drawing update during measurement to ON
 :DISPlay:UPDate?
 ON
 Drawing update during measurement has been ON

(21) Resistivity measurement function**Set and Query Diameter of the main electrode (D1)**

Syntax command :ELECTric:D1 <diameter(m)(NR2)>
 Query :ELECTric:D1?
 Response < diameter (m)(NR2)>

Description < diameter (m)(NR2)> = 0.0000~0.1000

Example :ELECTric:D1 0.001
 Set Diameter of the main electrode to 0.001m
 :ELECTric:D1?
 0.0010
 Diameter of the main electrode has been 0.001m

Set and Query Internal Diameter of the counter electrode (D2)

Syntax command :ELECTric:D2 <diameter of the counter(m)(NR2)>
 Query :ELECTric:D2?
 Response < diameter of the counter (m)(NR2)>

Description < diameter of the counter(m)(NR2)> = 0.0000~0.1000

Example :ELECTric:D2 0.001
 Set diameter of the counter electrode (D2) to 0.001m
 :ELECTric:D2?
 0.0010
 Diameter of the counter electrode (D2) has been 0.001m

Set and Query Thickness of sample(t)

Syntax command :ELECTric:T < Thickness (m)(NR2)>
 Query :ELECTric:T?
 Response < Thickness (m)(NR2)>

Description < Thickness (m)(NR2)> = 0.0000~0.1000

Example :ELECTric:T 0.001
 Set Thickness of sample(t) to 0.001m
 :ELECTric:T?
 0.0010
 Thickness of sample(t) has been 0.001m

Set and Query Electrode constant (K)

Syntax command **:ELECTric:K** <electrode constact(NR2)>
 Query **:ELECTric:K?**
 Response < electrode constact (NR2)>

Description < electrode constact (NR2)> = 0.01~999.99

Example **:ELECTric:K 0.05**
 Set electrode constact(k) to 0.05
:ELECTric:K?
0.05
 Electrode constact(k) has been 0.05

(22) Sweep function

Set and Query Sweep measurement

Syntax command **:SWEep:STATe** <ON/OFF>
 Query **:SWEep:STATe?**
 Response <ON/OFF>

Example **:SWEep:STATe ON**
 Set Sweep measurement to ON
:SWEep:STATe?
ON

Note Sweep measurement has been ON
 Setting sweep measurement to ON may change setting of trigger, sequence measurement, memory function, and voltage value for resistance calculation. For detail information, see the instruction manual of the instruments

Set and Query start volt, end volt and step volt

Syntax command **:SWEep:AUTOlist:STEP** <start volt(V)(NR2)>,<end volt(V)(NR2)>,<step volt(V)(NR2)>
 Query **:SWEep:AUTOlist:STEP?**
 Response <start volt(V)(NR2)>,<end volt(V)(NR2)>,<step volt(V)(NR2)>

Description SM7110 ... <start volt(V)(NR2)> = 0.1~1000.0
 <end volt(V)(NR2)> = 0.1~1000.0
 <step volt(V)(NR2)> = 0.1~1000.0
 SM7120 ... <start volt(V)(NR2)> = 0.1~2000.0
 <end volt(V)(NR2)> = 0.1~2000.0
 <step volt(V)(NR2)> = 0.1~2000.0

Example **:SWEep:AUTOlist:STEP 10,100,10**
 Set sweep list start volt to 10V, end volt to 100V and step volt to 10V
:SWEep:AUTOlist:STEP?
10,100,10
 Sweep list start volt has been 10V, end volt has been 100V and step volt has been 10V

Note Immediately reflected in sweep list when configured by command.
 Response of query is a configured parameter.
 It may not match current sweep list.

Set and Query start volt, end volt and step number

Syntax	command	:SWEp:AUTOlist:NUMBER <start volt(V)(NR2)>, <end volt(V)(NR2)>,<step number(NR1)>
	Query	:SWEp:AUTOlist:NUMBER?
	Response	<start volt(V)(NR2)>,<end volt(V)(NR2)>,<step number(NR1)>
Description	SM7110	··· <start volt(V)(NR2)> = 0.1~1000.0 <end volt(V)(NR2)> = 0.1~1000.0
	SM7120	··· <start volt(V)(NR2)> = 0.1~2000.0 <end volt(V)(NR2)> = 0.1~2000.0
		<step number(NR1)> = 1~999
Example		:SWEp:AUTOlist:NUMBER 10,100,10 Set sweep list start volt to 10V, end volt to 100V and step number to 10
		:SWEp:AUTOlist:NUMBER? 10,100,10 Sweep list start volt has been 10V, end volt has been 100V and step number has been 10
Note		Immediately reflected in sweep list when configured by command. Response of query is a configured parameter. It may not match current sweep list.

Set and Query hold delay time

Syntax	command	:SWEp:TIME:HOLD <hold delay time(s)(NR2)>
	Query	:SWEp:TIME:HOLD?
	Response	<hold delay time(s)(NR2)>
Description		<hold delay time(s)(NR2)> = 0.000~999.9
Example		:SWEp:TIME:HOLD 0.1 Set sweep measurement hold delay time to 0.1 seconds
		:SWEp:TIME:HOLD? 0.100 Sweep measurement hold delay time has been 0.1 seconds

Set and Query measurement delay time

Syntax	command	:SWEp:TIME:DELAy <measurement delay time(s)(NR2)>
	Query	:SWEp:TIME:DELAy?
	Response	<measurement delay time(s)(NR2)>
Description		<measurement delay time(s)(NR2)> = 0.010~999.9
Example		:SWEp:TIME:DELAy 0.1 Set sweep measurement delay time to 0.1 seconds
		:SWEp:TIME:DELAy? 0.100 Sweep measurement delay time has been 0.1 seconds

Set and Query step time

Syntax command **:SWEp:TIME:STEP** <step time(s)(NR2)>
 Query **:SWEp:TIME:STEP?**
 Response <step time(s)(NR2)>

Description <hold time(s)(NR2)> = 0.015~999.9

Example :SWEp:TIME:STEP 0.1
 Set sweep measurement step time to 0.1 seconds
 :SWEp:TIME:STEP?
 0.100
 Sweep measurement step time has been 0.1 seconds

Set and Query fail stop function

Syntax command **:SWEp:COMParator:FAIL:STOP** <ON/OFF>
 Query **:SWEp:COMParator:FAIL:STOP?**
 Response <ON/OFF>

Description ON ... Use fail stop function
 OFF ... Not use fail stop function
 For information on the fail stop function, see the instruction manual of the instruments

Example :SWEp:COMParator:FAIL:STOP ON
 Set fail stop function to ON
 :SWEp:COMParator:FAIL:STOP?
 ON
 Fail stop function has been ON

Set and Query automatic detail step function

Syntax command **:SWEp:COMParator:FINE:AUTO** <ON/OFF>
 Query **:SWEp:COMParator:FINE:AUTO?**
 Response <ON/OFF>

Description ON ... Use automatic detail step function
 OFF ... Not use automatic detail step function
 For information on the automatic detail step function, see the instruction manual of the instruments

Example :SWEp:COMParator:FINE:AUTO ON
 Set automatic detail step function to ON
 :SWEp:COMParator:FINE:AUTO?
 ON
 Automatic detail step function has been ON

Set and Query reverse function

Syntax command **:SWEp:REVerse** <ON/OFF>
 Query **:SWEp:REVerse?**
 Response <ON/OFF>

Example :SWEp:REVerse ON
 Set reverse function to ON
 :SWEp:REVerse?
 ON
 Reverse function has been ON

All steps clear

Syntax	command	:SWEep:LIST:CLEar
Description	Clear all steps Remove the configuration for all steps and set 0.1V in step 001	
Example	:SWEep:LIST:CLEar Clear all steps	
Note	Can't return once clear	

Set and Query list data

Syntax	command	:SWEep:LIST:DATA	<step No.(NR1)>,<voltage(V)(NR2)>
	Query	:SWEep:LIST:DATA?	<step No.(NR1)>
	Response	<step No.(NR1)>,<voltage(V)(NR2)>	
Description	<step No.(NR1)> = 1~999 SM7110 ... <voltage(V)(NR2)> = 0.1~1000.0 SM7120 ... <voltage(V)(NR2)> = 0.1~2000.0		
Example	:SWEep:LIST:DATA 1,10 Set voltage of step No.1 to 10V :SWEep:LIST:DATA? 1 1,10 Voltage of step No.1 has been 10V		

Set and Query step number

Syntax	command	:SWEep:LIST:COUNT	<step number(NR1)>
	Query	:SWEep:LIST:COUNT?	
	Response	<step number(NR1)>	
Description	<step number(NR1)> = 1~999		
Example	:SWEep:LIST:COUNT 10 Set step number to 10 :SWEep:LIST:COUNT? 10 Step number has been 10		

Start sweep measurement and query results

Syntax	Query	:SWEep:MEASure? <1~255>
	Response	<Measurent value and judgment value>
Description	Starts sweep measurement and responds with a comma-delimited list of measured values, judgment results, and other data after measurement is complete. Response starts with result of step No.1 Response data is set to 0 to 255 See the description of the :MEASure:RESult? command for details on each bit.	

128	64	32	16	8	4	2	1
bit 7	bit 6	bit 5	bit 4	bit 3	bit 2	bit 1	bit 0
Voltage check	Contact check	Humidity	Temperature	Voltage Setpoint	Judgment value	Measurement value	Status

Example **:SWEep:MEASure? 14**
6.33802E-12,HI, 500.2,633833E-12,HI, 500.3,.....

Note Execution error when sweep function is off.
Once this command has been sent, no other commands will be accepted until the sweep measurement is completed.

Start sweep measurement and query completion of measurement

Syntax Query **:SWEp:MEASure:EXECute?**
 Response <1(NR1)>

Description Starts sweep measurement and responds with 1 after measurement is complete.

Example :SWEp:MEASure:EXECute?
 1

Sweep measurement was executed and measurement is complete.

Note Execution error when sweep function is off.
 Once this command has been sent, no other commands will be accepted until the sweep measurement is completed.

(23) Comparator
Set and Query Comparator

Syntax command **:COMParator:LIMit** <OFF/upper limit(NR3)>,<OFF/lower limit(NR3)>
 Query **:COMParator:LIMit?**
 Response <OFF/ upper limit (NR3)>,<OFF/ lower limit (NR3)>

Description <Uppew limit (NR3)>,<Lower limit (NR3)> =

Resistance (Ohm)	20.000E+18~50.000E+0
Current (A)	-1.99999E-03~-1.00000E-16, 0, 1.00000E-16~1.99999E-03
Surface resistivity (Ohm)	20.000E+20~50.000E+2
Volume resistivity (Ohm/cm)	20.000E+20~50.000E+2
Liquid volume resistivity(Ohm/cm)	20.000E+20~50.000E+2

Example :COMParator:LIMit 50E9,20E9
 Set comparator upper limit to 50E9, lower limit to 20E9

:COMParator:LIMit?
 50E9,20E9

Comparator upper limit to 50E9, lower limit to 20E9

Note Execution error when upper limit < lower limit

Set and Query Comparator Beeper

Syntax command **:COMParator:BEEPer**
 <HI/IN/LO>,<TYPE1/TYPE2/TYPE3/OFF>,<times>
 Query **:COMParator:BEEPer?** <HI/IN/LO>
 Response <HI/IN/LO>,<TYPE1/TYPE2/TYPE3/OFF>,<times (NR1)>

Description <Times(NR1)> = 1/2/3/4/5/CONT

Example :COMParator:BEEPer HI,TYPE2,3
 Set comparator beeper to TYPE2, 3 times when HI judgment

:COMParator:BEEPer? HI
 HI,TYPE2,3

Comparator beeper has been TYPE2, 3 times when HI judgment

(24) Panel saving and loading**Set Panel saving**

Syntax command **:PANel:SAVE** <1~50(NR1)>**Description** Save measurement conditions**Example** **:PANel:SAVE 1**
Save measurement conditions at panel 1**Note** Overwrite when already save this panel**Query already panel saving**

Syntax Query **:PANel:SAVE?** <1~50(NR1)>

Response <0/1(NR1)>

Description 0 ... no saving data
1 ... exist saving data**Example** **:PANel:SAVE? 1**
1
Exist saving data at panel 1**Load panel data**

Syntax command **:PANel:LOAD** <1~50(NR1)>**Description** Load panel data**Example** **:PANel:LOAD 1**
Load panel 1 data**Note** Execute error when panel data has no exist**Set and Query panel name**

Syntax command **:PANel:NAME** <1~50(NR1)>,<panel name>
Query **:PANel:NAME?** <1~50(NR1)>
Response <1~50(NR1)>,<panel name> = 0~9,A~Z,_**Description** Set panel name.
A panel name is 10 character effective characters above-mentioned.**Example** **:PANel:NAME 1,HOGEPYO2**
Set panel name [HOGEPYO2]
:PANel:NAME? 1
1,HOGEPYO2
Panel name has been [HOGEPYO2]**Note** When designating the occasion as which the panel number by which setting isn't preserved in command was designated and the invalid name, it'll be an execution error. The occasion and the panel name as which the panel number by which setting isn't preserved in Query was designated, "-----",

Delete panel data

Syntax command **:PANel:CLEar <1~50(NR1)>**

Description Delete panel data

Example **:PANel:CLEar 1**
Delete panel 1 data

Note Can't return the panel data once delete

(25) Key Beeper**Set and Query Key Beeper**

Syntax command **:KEY:BEEPer <ON/OFF>**
Query **:KEY:BEEPer?**
Response **<ON/OFF>**

Description < ON / OFF >

Example **:KEY:BEEPer ON**
Set key beeper to ON
:KEY:BEEPer?
ON
Key beeper has been ON

(26) Key-lock**Set and Query Key-Lock State**

Syntax command **:SYSTem:KLOCK <OFF/MENU/ALL>**
Query **:SYSTem:KLOCK?**
Response **<OFF/MENU/ALL>**

Description OFF ... Disable keylock
MENU ... Disable COMP, LOAD/SAVE, MENU key
ALL ... Disable ALL key except MENU[UNLOCK] key

Example **:SYSTem:KLOCK MENU**
Set disable COMP, LOAD/SAVE, MENU key
:SYSTem:KLOCK?
MENU
COMP, LOAD/SAVE, MENU key has been disable

(27) Internal memory**Query measurement value in memory**

Syntax Query **:MEMory? <1~255>**

Response **< Retuen measurement value and judgment >**

Description Retuen measurement value and judgment
See the description of the **:MEASure:RESult?** command for details on each bit.

128 bit 7	64 bit 6	32 bit 5	16 bit 4	8 bit 3	4 bit 2	2 bit 1	1 bit 0
Voltage check result	Contact check result	Humidity	Tempereture	Voltage Monitor	Judgment value	Measurement value	Status

Example **:MEMory? 14**
6.33802E-12,HI,500.2, 6.33533E-12,HI,500.1, 6.33833E-12,HI,500.3,.....

Note When sweep measurement is ON, the voltage setpoint is responded instead of the voltage monitor value.

Query measurement value in memory (range specification)

Syntax Query **:MEMory:RANGe?** <1~255>,
<Start memory number>,<End memory number>

Response < Return measurement value and judgment >

Description Return measurement value and judgment
Set the data you wish to query as a value from 1 to 255. For example, to query measured values only you would set the value 2. To query measured values along with judgment results, you would set 2 and 4 for a total of 6.
<Start memory number> = 1 to 999
<End memory number> = 1 to 999
If there is no data stored in its memory, the instrument will return "0." Specifying a memory number in which no data is stored will result in an execution error.
See the description of the **:MEASure:RESult?** command for details on each bit.

128 bit 7	64 bit 6	32 bit 5	16 bit 4	8 bit 3	4 bit 2	2 bit 1	1 bit 0
Voltage check result	Contact check result	Humidity	Temperature	Voltage Monitor	Judgment value	Measurement value	Status

Example **:MEMory:RANGe?** 6,10,20
6.33802E-12,HI, 6.33533E-12,HI, 6.33833E-12,HI,.....

Note When sweep measurement is ON, the voltage setpoint is responded instead of the voltage monitor value.

Set and Query memory state

Syntax command **:MEMory:STATe** <ON/OFF>
Query **:MEMory:STATe?**
Response <ON/OFF>

Description ON ... save measurement value
OFF ... no save

Example **:MEMory:STATe** ON
Set measurement value to save
:MEMory:STATe?
ON
Measurement value has been save

Query number of measurement value

Syntax command **:MEMory:COUNT?**

Response <0~50(NR1)>

Description Return number of measurement value

Example **:MEMory:COUNT?**
23
Number of measurement value has been 23

Set Memory clear

Syntax command **:MEMory:CLEar**
Description Clear all measurement value in memory

Example **:MEMory:CLEar**
 Clear all measurement value in memory

Note Can't return the panel data once delete.
 Execution error occurs during sweep measurement.

(28) Voltage monitor check

Set and Query Voltage monitor check

Syntax Query **:VCheck?**
 Response **<0~1(NR1)>**

Description Execute voltage monitor check, return judge
 0 ... NG
 1 ... OK

Example **:VCheck?**
1
 Voltage monitor check has been OK

Set and Query Voltage monitor check state

Syntax command **:VCheck:STATe <ON/OFF>**
 Query **:VCheck:STATe?**
 Response **<ON/OFF>**

Description **< ON / OFF >**

Example **:VCheck:STATe ON**
 Set Voltage monitor check to ON
:VCheck:STATe?
ON
 Voltage monitor check has been ON

Set and Query Voltage monitor check limit

Syntax command **:VCheck:LIMit <settable range(%)>**
 Query **:VCheck:LIMit?**
 Response **< settable range (%)>**

Description **< settable range(%)> = 2~20**

Example **:VCheck:LIMit 10**
 Set voltage monitor check limit to +-10%
:VCheck:LIMit?
10
 Voltage monitor check limit has been +-10%

(29) Double action**Set and Query double action**

Syntax command :**DOUBleaction** <ON/OFF>
 Query :**DOUBleaction?**
 Response <ON/OFF>

Description ON ... start measurement at push START key init 1second untill push stop key push
 OFF ... start measurement at push START key

Example :**DOUBleaction** ON
 Set double action to ON
 :**DOUBleaction?**
 ON
 Double action has been ON

(30) LCD**Set and Query Display Mode**

Syntax command :**DISPlay:MODE** <NORMal/SEQuence/SWPList/SWPNorm>
 Query :**DISPlay:MODE?**
 Response <NORMAL/SEQUENCE/SWPLIST/SWPNORM>

Description NORMal ... normally display
 SEQuence ... time display for sequence program mode
 SWPList ... sweep list display for sweep measurement mode
 SWPNorm ... normally display for sweep measurement mode

Example :**DISPlay:MODE** NORMal
 Set display mode to normal
 :**DISPlay:MODE?**
 NORMAL
 Display mode has been normal

Note Execution error when setting <SWPList/SWPNorm> while sweep function is off.
 Execution error when setting <NORMal/SEQuence> while sweep function is on.

Set and Query Contrast

Syntax command :**DISPlay:CONTrast** <0~100(NR1)>
 Query :**DISPlay:CONTrast?**
 Response <0~100(NR1)>

Example :**DISPlay:CONTrast** 50
 Set the display contrast to 50%.
 :**DISPlay:CONTrast?**
 50
 The display contrast has been set to 50%.

Set and Query Backlight

Syntax command :**DISPlay:BACKlight** <0~100(NR1)>
 Query :**DISPlay:BACKlight?**
 Response <0~100(NR1)>

Example :**DISPlay:BACKlight** 50
 Set the backlight brightness to 50%.
 :**DISPlay:BACKlight?**
 50
 The backlight brightness has been set to 50%.

(31) Line Frequency Set and Query Line Frequency

Syntax command **:SYSTem:LFRequency** <AUTO/50/60>
 Query **:SYSTem:LFRequency?**
 Response <AUTO/50/60>

Description AUTO ... Auto detect line frequency (When power on)
 50 ... 50Hz
 60 ... 60Hz

Example **:SYSTem:LFRequency AUTO**
 Set the line frequency to AUTO.
:SYSTem:LFRequency?
AUTO
 Line frequency has been set to AUTO.

Query Automatic detection Line Frequency

Syntax Query **:SYSTem:LFRequency:AUTO?**
 Response <ERROR/50/60>

Description ERROR ... Detection error
 50 ... 50Hz
 60 ... 60Hz

Example **:SYSTem:LFRequency:AUTO?**
60
 Detected 60Hz

(32) Reset Initialize Instrument (System Reset)

Syntax command **:RESet** <SYSTem/NORMal>
Description SYSTem ... Initializes all data include panel data settings
 NORMal ... Initializes all data except panel data settings
Example **:RESet SYSTem**
 Execute system reset.

(33) EXT I/O Set and Query Trigger edge

Syntax command **:IO:EDGE** <ON/OFF>
 Query **:IO:EDGE?**
 Response <ON/OFF>

Description Set trigger edge
 ON ... PNP: fall, NPN: rise
 OFF ... PNP: rise, NPN: fall

Example **:IO:EDGE ON**
 Set trigger edge to ON edge
:IO:EDGE?
ON
 Trigger edge has been ON edge

Set and Query TRIG Signal's Filter Function

Syntax command **:IO:FILTER:STATE <ON/OFF>**
 Query **:IO:FILTER:STATE?**
 Response **<ON/OFF>**

Description Set to use the trigger filter.
 ON ... Use trigger filter.
 OFF ... Not use trigger filter.

Example **:IO:FILTER:STATE ON**
 Set trigger filter to ON
:IO:FILTER:STATE?
ON
 Trigger filter has been set to ON.

Set and Query TRIG Signal's Filter Time

Syntax command **:IO:FILTER:TIME < Filter time (s)(NR2)>**
 Query **:IO:FILTER:TIME?**
 Response **< Filter time (s)(NR2)>**

Description **< Filter time (s)(NR2)> = 0.001~0.500**

Example **:IO:FILTER:TIME 0.123**
 Set trigger filter time to 0.123 seconds.
:IO:FILTER:TIME?
0.123
 Trigger filter time has been set to 0.123 seconds.

Set and Query GO-signal outputting logic level

Syntax command **:IO:GOLogic <NORMAL/ INVert >**
 Query **:IO:GOLogic?**
 Response **<NORMAL/INVERT>**

Description NORMAL ...When a pass judgment is given for the contact check or voltage monitor check: Outputs a low-level signal.
 When a fail judgment is given for the contact check or voltage monitor check: Outputs a high-level signal.

INVERT ...When a pass judgment is given for the contact check or voltage monitor check: Outputs a high-level signal.
 When a fail judgment is given for the contact check or voltage monitor check: Outputs a low-level signal.

Example **:IO:GOLogic NORMAL**
 Set GO-signal outputting logic level to NORMAL.
:IO:GOLogic?
NORMAL
 GO-signal outputting logic level has been set to NORMAL.

Set and Query EOM Output Method

Syntax command **:IO:EOM:MODE** <HOLD/PULSe>
 Query **:IO:EOM:MODE?**
 Response <HOLD/PULSe>

Description HOLD ... Holds the EOM signal until measurement starts by the next trigger signal.
 PULSE ... Sets EOM=OFF according to the specified pulse width

Example **:IO:EOM:MODE HOLD**
 Set EOM output method to HOLD.
:IO:EOM:MODE?
 HOLD
 EOM output method has been set to HOLD.

Set and Query EOM Pulse Width

Syntax command **:IO:EOM:PULSe** < Pulse width (s)(NR2)>
 Query **:IO:EOM:PULSe?**
 Response < Pulse width (s)(NR2)>

Description < Pulse width (s)(NR2)> = 0.001~0.100

Example **:IO:EOM:PULSe 0.023**
 Set Pulse width to 0.023 seconds.
:IO:EOM:PULSe?
 0.23
 Pulse width has been set to 0.023 seconds.

Query Output Pin Status

Syntax Query **:IO:OUTPin?** <ERR/CCHecgo/OPENgo/IN/PASS/EOM/INDEX/
 VCheckgo/VON/HI/LO/FAIL>
 Response <0/1(NR1)>

Description Return the output pin status.

Example **:IO:OUTPin? INDEX**
 1
 INDEX pin is ON.

Query NPN/PNP Switch Status

Syntax Query **:IO:MODE?**
 Response <NPN/PNP>

Description Return the NPN/PNP Switch status.

Example **:IO:MODE?**
 NPN
 NPN/PNP Switch has been set to NPN.

(34) Device Event Status Enable Register

Set and Query Device Event Status Enable Register

Syntax Command :DSE <0 ~ 255(NR1)>
 Query :DSE?
 Response <0 ~ 255(NR1)>

Example Command Set Device Event status enable register

Query Query Device Event status enable register

128 bit 7	64 bit 6	32 bit 5	16 bit 4	8 bit 3	4 bit 2	2 bit 1	1 bit 0
Unused	Unused	BOV	BFL	STP	ITL	LM2 Unused	LM1 Unused

Query Device Event Status Register

Syntax Query :DSR?
 Response <0 ~ 255(NR1)>

Note When execute DSE command, DSR register is clear

(35) Command Header Set and Query Header Presence

Syntax Command :**HEADer** <ON/OFF>
 Query :**HEADer?**
 Response <ON/OFF>

Description Sets whether or not there is a header in the response message.

Example :**HEADer ON**

Adds a header to the response message.

:**HEADer?**

:**HEADER ON**

A header is set to be added to the response message.

Note When turning the power on or after the ***RST** command, this is initialized to OFF (no header).

(36) Communications Settings Return to Local Control

Syntax Command :**SYSTem:LOCal**

Description Disables communications remote control and re-enables local control. The panel keys are re-enabled.

Example :**SYSTem:LOCal**

Set Delimiter [GP-IB]

Syntax Command :**SYSTem:TERMinator** <LF/CRLF>
 Query :**SYSTem:TERMinator?**
 Response <LF/CRLF>

Description LF ... Set delimiter to LF.
 CRLF ... Set delimiter to CRLF.

Example :**SYSTem:TERMinator LF**
 Set delimiter to LF.

:**SYSTer:TERMminator?**

LF

Delimiter has been set to LF.

4 Measurement Value Format

• Current (A)

Format	Range	Max	Current Over Range	Contact check NG
UNIT/EXP	2mA	$\pm 1.99999E-03A$	+9.99999E+30	+5.55555E+30
	200uA	$\pm 199.999E-06A$	+999.999E+30	+555.555E+30
	20uA	$\pm 19.9999E-06A$	+99.9999E+30	+55.5555E+30
	2uA	$\pm 1.99999E-06A$	+9.99999E+30	+5.55555E+30
	200nA	$\pm 199.999E-09A$	+999.999E+30	+555.555E+30
	20nA	$\pm 19.9999E-09A$	+99.9999E+30	+55.5555E+30
	2nA	$\pm 1.99999E-09A$	+9.99999E+30	+5.55555E+30
	200pA	$\pm 199.999E-12A$	+999.999E+30	+555.555E+30
	20pA	$\pm 19.9999E-12A$	+99.9999E+30	+55.5555E+30

Note: A “+” sign is returned as a SPACE (ASCII code 20H).

The priority of contact check NG is higher than Current Over Range.

• Resistance (Ohm) , Resistivity (Ohm_{RS}、Ohm_{RV}、Ohm_{RL})

Format	Range	Max	Current Over Range	Contact check NG
UNIT	2mA~20pA	+999.999E±□	+000.000E-30	+555.555E-30
EXP	2mA~20pA	+9.99999E±□	+0.00000E-30	+5.55555E-30

Note: A “+” sign is returned as a SPACE (ASCII code 20H).

The priority of contact check NG is higher than Current Over Range.

• Voltage Monitor (V)

Value	Reference
□□□□.□	:MEASure:MONItor?

• Temperature (°C)

Value	Reference
±□□.□□	:MEASure:TEMPerature?

• Humidity (%rh)

Value	Reference
+□□.□	:MEASure:HUMidity?

• Jig capacity open correction (F)

Value	Reference
□□.□□□E-12	:OPEN:VALue?

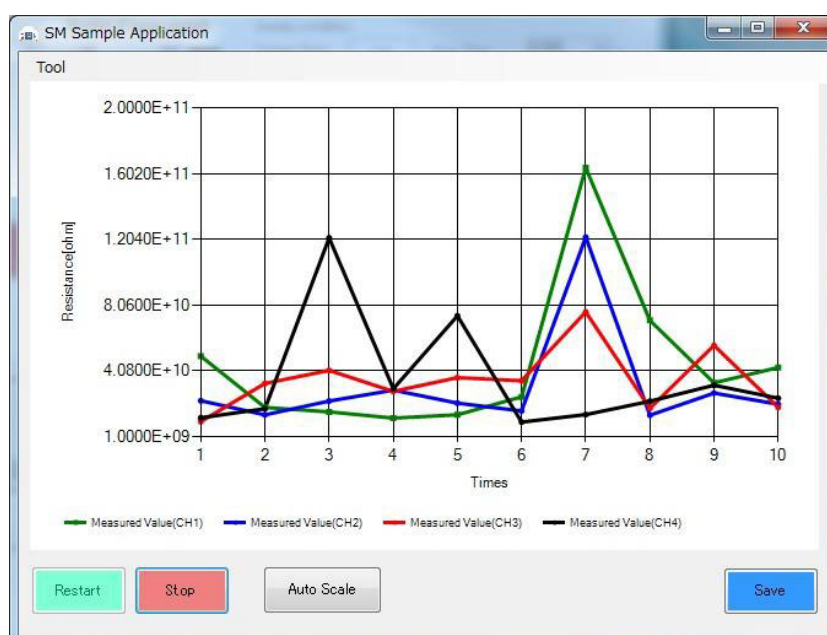
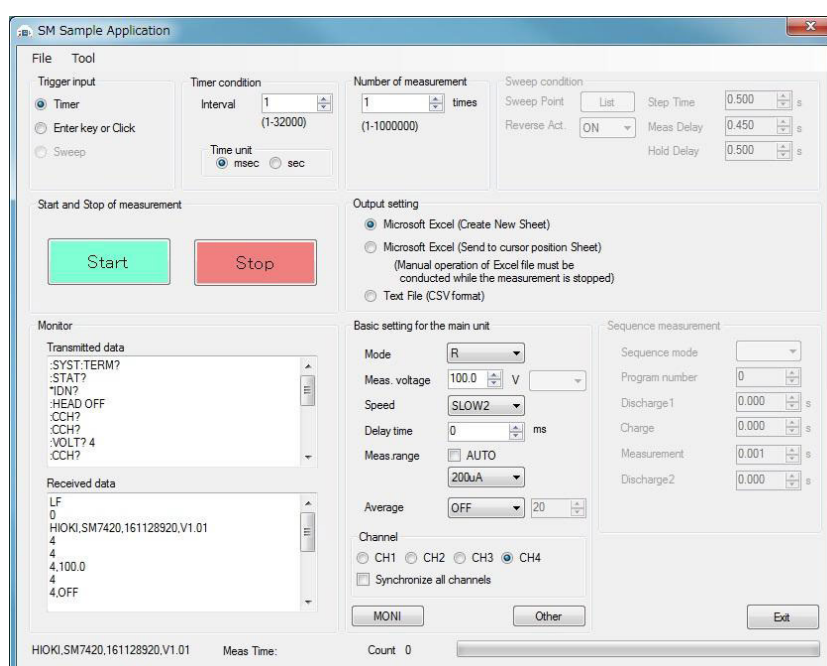
• Contact check value (F)

Value	Reference
□□.□□□E-12	:CONTactcheck:VALue?

5 Sample Application

Sample application can be downloaded from the [Hioki website](#).
It can perform the following operations on the SM7110 and SM7120:

- Measuring instrument settings
- Time Interval Measurement (By setting up the time interval)
- Voltage sweep measurement (measurement using a varying voltage)
- Loading by Return key (Single Measurement)
- Acquisition of measured values and saving in Excel or CSV format
- Graph display
- Testing communications command transmit/receive functionality
- Backing up and restoring instrument settings



Super Megohm Meter SM7110,7120 Programming Command Compatibility with DSM8104

Setting Control Program Messages

DSM8104	Function	Format	Compatibility Notes	SM7110, SM7120																																																												
DLM	Delimiter designation in talker mode.	DLM <0~2>	· Specifying "2:<EOI>" will result in a setting of "0:LF<EOI>." · Because this setting is backed up, cycling the power will Not cause the default value to be restored.	:SYSTem:TERMinator <LF/CRLF>																																																												
DLM?	Delimiter query.	DLM?	· Because the instrument does Not support the "2:<EOI>" setting, the response will be "0."	:SYSTem:TERMinator?																																																												
DFM	Output data format designation.	DFM <0~3>		Not compatible																																																												
DFM?	Query response in output data format.	DFM?		Not compatible																																																												
MOD	Measuring mode setting.	MOD <0~3>		:MEASure:MODE <R/A/RS/RV/RL>																																																												
MOD?	Query response in screen state is same as setting.	MOD?	· When the instrument is set to liquid volume resistivity measurement mode, this query will result in a response of	:MEASure:MODE?																																																												
MON	Changeover between regular measurement.	MON <0~1>		:DISPlay:MODE <NORMal/SEQuence>																																																												
MON?	Query response in measuring mode is same as setting.	MON?		:DISPlay:MODE?																																																												
LCD	LCD display mode setting.	LCD <0~1>	· Specifying "0" will set the LCD and backlight to 0 and disable measured value render updates. · Specifying "1" will set the LCD to 50 and the backlight to 80 and enable measured value render updates.	:DISPlay:CONTRast <0~100(NR1)> :DISPlay:BACKlight <0~100(NR1)> :DISPlay:UPDate <ON/OFF>																																																												
LCD?	Query response in LCD display mode is same as setting.	LCD?	· The instrument will return "0" if the LOD and backlight are set to 0 and measured value render updates are disabled. · Otherwise, it will return "1." · Specifying "2" will cause the command to be ignored.	:DISPlay:CONTRast? :DISPlay:BACKlight? :DISPlay:UPDate?																																																												
FIG	Setting number of effective columns for measured value display.	FIG <2~5>		:MEASure:DIGit <3~6(NR1)>																																																												
FIG?	Query response on setting number of effective columns for measured value display is same as setting.	FIG?	· Because the instrument does Not support the "2" setting, the response will be a value from "3" to "6."	:MEASure:DIGit?																																																												
DSP	Display mode setting.	DSP <0~1>		:MEASure:FORMat <UNIT/EXP>																																																												
DSP?	Query response in display mode is same as setting.	DSP?		:MEASure:FORMat?																																																												
DLY	Trigger delay time (ms) setting.	DLY <0~9999>		:DELay <Delay time(s)(NR2)>																																																												
DLY?	Query response on trigger delay time is same as setting.	DLY?		:DELay?																																																												
AVE	Averaging setting.	AVE <0~1>	· Specifying "1" will cause the auto averaging function to be set. · Specifying "2" will cause the average hold function to be set (Not supported by the DSM8104).	:AVERage <OFF/HOLD/AUTO>																																																												
AVE?	Query response in averaging is same as setting.	AVE?	· When the average hold function is enabled, this query will result in a response of "2."	:AVERage?																																																												
SPL	Integral time setting (Unit, set values).	SPL <0~1>,<1~15>/<2~300>	· Different combinations of units and settings can be used to make the settings listed in the following table ■ 0:PLC setting <table border="1"> <tr> <td>PLC</td> <td>1~3</td> <td>4~12</td> <td>13~15</td> </tr> <tr> <td>SPEED</td> <td>MED</td> <td>SLOW</td> <td>SLOW2</td> </tr> </table> ■ 1:ms setting <table border="1"> <tr> <td>ms (Line frequency 50Hz)</td> <td>2~9</td> <td>10~19</td> <td>20~79</td> <td>80~259</td> <td>260~300</td> </tr> <tr> <td>SPEED</td> <td>FAST</td> <td>FAST2</td> <td>MED</td> <td>SLOW</td> <td>SLOW2</td> </tr> </table> <table border="1"> <tr> <td>ms (Line frequency 60Hz)</td> <td>2~7</td> <td>8~15</td> <td>16~65</td> <td>66~215</td> <td>216~300</td> </tr> <tr> <td>SPEED</td> <td>FAST</td> <td>FAST2</td> <td>MED</td> <td>SLOW</td> <td>SLOW2</td> </tr> </table>	PLC	1~3	4~12	13~15	SPEED	MED	SLOW	SLOW2	ms (Line frequency 50Hz)	2~9	10~19	20~79	80~259	260~300	SPEED	FAST	FAST2	MED	SLOW	SLOW2	ms (Line frequency 60Hz)	2~7	8~15	16~65	66~215	216~300	SPEED	FAST	FAST2	MED	SLOW	SLOW2	:SPEEd <SLOW2/SLOW/MED/FAST2/FAST>																												
PLC	1~3	4~12	13~15																																																													
SPEED	MED	SLOW	SLOW2																																																													
ms (Line frequency 50Hz)	2~9	10~19	20~79	80~259	260~300																																																											
SPEED	FAST	FAST2	MED	SLOW	SLOW2																																																											
ms (Line frequency 60Hz)	2~7	8~15	16~65	66~215	216~300																																																											
SPEED	FAST	FAST2	MED	SLOW	SLOW2																																																											
SPL?	Query response on setting number of integral time (unit, set value) is same as setting.	SPL?	· The response will vary with the instrument's SPEED setting as described in the following table: <table border="1"> <tr> <td>SPEED</td> <td>FAST</td> <td>FAST2</td> <td>MED</td> <td>SLOW</td> <td>SLOW2</td> </tr> <tr> <td>Response</td> <td>1.2</td> <td>1.10(50Hz) 1.8(60Hz)</td> <td>0.1</td> <td>0.4</td> <td>0.13</td> </tr> </table>	SPEED	FAST	FAST2	MED	SLOW	SLOW2	Response	1.2	1.10(50Hz) 1.8(60Hz)	0.1	0.4	0.13	:SPEEd?																																																
SPEED	FAST	FAST2	MED	SLOW	SLOW2																																																											
Response	1.2	1.10(50Hz) 1.8(60Hz)	0.1	0.4	0.13																																																											
RNG	Current range setting.	RNG <0~1>,<0~7>	· The instrument will be configured as described in the following table based on its SPEED setting: <table border="1"> <tr> <td>Range setting during</td> <td>FAST</td> <td>FAST2</td> <td>MED</td> <td>SLOW</td> <td>SLOW2</td> </tr> <tr> <td>0</td> <td>2mA</td> <td>2mA</td> <td>2mA</td> <td>2mA</td> <td>200uA</td> </tr> <tr> <td>1</td> <td>2mA</td> <td>200uA</td> <td>Change</td> <td>Change</td> <td>20uA</td> </tr> <tr> <td>2</td> <td>200uA</td> <td>2uA</td> <td>20uA</td> <td>20uA</td> <td>2uA</td> </tr> <tr> <td>3</td> <td>20uA</td> <td>2uA</td> <td>2uA</td> <td>2uA</td> <td>200nA</td> </tr> <tr> <td>4</td> <td>2uA</td> <td>200nA</td> <td>200nA</td> <td>200nA</td> <td>20nA</td> </tr> <tr> <td>5</td> <td>200nA</td> <td>20nA</td> <td>20nA</td> <td>20nA</td> <td>2nA</td> </tr> <tr> <td>6</td> <td>20nA</td> <td>2nA</td> <td>2nA</td> <td>2nA</td> <td>20pA</td> </tr> <tr> <td>7</td> <td>2nA</td> <td>2nA</td> <td>20pA</td> <td>20pA</td> <td>20pA</td> </tr> </table>	Range setting during	FAST	FAST2	MED	SLOW	SLOW2	0	2mA	2mA	2mA	2mA	200uA	1	2mA	200uA	Change	Change	20uA	2	200uA	2uA	20uA	20uA	2uA	3	20uA	2uA	2uA	2uA	200nA	4	2uA	200nA	200nA	200nA	20nA	5	200nA	20nA	20nA	20nA	2nA	6	20nA	2nA	2nA	2nA	20pA	7	2nA	2nA	20pA	20pA	20pA	:RANGe <20pA/200pA/2nA/20nA/200nA/2uA/20uA/200uA/2mA>						
Range setting during	FAST	FAST2	MED	SLOW	SLOW2																																																											
0	2mA	2mA	2mA	2mA	200uA																																																											
1	2mA	200uA	Change	Change	20uA																																																											
2	200uA	2uA	20uA	20uA	2uA																																																											
3	20uA	2uA	2uA	2uA	200nA																																																											
4	2uA	200nA	200nA	200nA	20nA																																																											
5	200nA	20nA	20nA	20nA	2nA																																																											
6	20nA	2nA	2nA	2nA	20pA																																																											
7	2nA	2nA	20pA	20pA	20pA																																																											
RNG?	Query response on current range is same as setting	RNG?	· The response (HOLD) will vary with the instrument's SPEED setting as described in the following table: <table border="1"> <tr> <td>SM7420 Range setting</td> <td>FAST</td> <td>FAST2</td> <td>MED</td> <td>SLOW</td> <td>SLOW2</td> </tr> <tr> <td>2mA</td> <td>0.1</td> <td>0.0</td> <td></td> <td></td> <td></td> </tr> <tr> <td>200uA</td> <td>0.2</td> <td>0.1</td> <td>0.1</td> <td>0.1</td> <td>0.0</td> </tr> <tr> <td>20uA</td> <td>0.3</td> <td>0.2</td> <td>0.2</td> <td>0.2</td> <td>0.1</td> </tr> <tr> <td>2uA</td> <td>0.4</td> <td>0.3</td> <td>0.3</td> <td>0.3</td> <td>0.2</td> </tr> <tr> <td>200nA</td> <td>0.5</td> <td>0.4</td> <td>0.4</td> <td>0.4</td> <td>0.3</td> </tr> <tr> <td>20nA</td> <td>0.6</td> <td>0.5</td> <td>0.5</td> <td>0.5</td> <td>0.4</td> </tr> <tr> <td>2nA</td> <td>0.7</td> <td>0.6</td> <td>0.6</td> <td>0.6</td> <td>0.5</td> </tr> <tr> <td>200pA</td> <td></td> <td></td> <td>0.7</td> <td>0.6</td> <td>0.6</td> </tr> <tr> <td>20pA</td> <td></td> <td></td> <td></td> <td>0.7</td> <td>0.7</td> </tr> </table>	SM7420 Range setting	FAST	FAST2	MED	SLOW	SLOW2	2mA	0.1	0.0				200uA	0.2	0.1	0.1	0.1	0.0	20uA	0.3	0.2	0.2	0.2	0.1	2uA	0.4	0.3	0.3	0.3	0.2	200nA	0.5	0.4	0.4	0.4	0.3	20nA	0.6	0.5	0.5	0.5	0.4	2nA	0.7	0.6	0.6	0.6	0.5	200pA			0.7	0.6	0.6	20pA				0.7	0.7	:RANGe?
SM7420 Range setting	FAST	FAST2	MED	SLOW	SLOW2																																																											
2mA	0.1	0.0																																																														
200uA	0.2	0.1	0.1	0.1	0.0																																																											
20uA	0.3	0.2	0.2	0.2	0.1																																																											
2uA	0.4	0.3	0.3	0.3	0.2																																																											
200nA	0.5	0.4	0.4	0.4	0.3																																																											
20nA	0.6	0.5	0.5	0.5	0.4																																																											
2nA	0.7	0.6	0.6	0.6	0.5																																																											
200pA			0.7	0.6	0.6																																																											
20pA				0.7	0.7																																																											

SRT	Function to interact with measuring voltage ON or measurement start.	SRT		:START
STP	Function to interact with measuring stop (measuring voltage OFF).	STP		:STOP
MTG	Generates manual trigger.	MTG		*TRG
IVS	Setting Measuring Voltage.	IVS <0.1~1000.0>		:VOLTage <Voltage(V)(NR2)>
IVS?	Query response of Measuring Voltage is same as setting.	IVS?		:VOLTage?
PWS	Measuring power source setting.	PWS <0~2>,<0~1>,<0~1>	· Because the instrument does Not support the Noise filter will be igNored.	:CHARge:LIMit:CURRent <1.8mA/5mA/10mA/50mA> :CHARge:LIMit <ON/OFF>
PWS?	Measuring power source setting query. Query response in display mode is same as setting.	PWS?	· Because the instrument does Not support the Noise filter will always be "0."	:CHARge:LIMit:CURRent? :CHARge:LIMit?
DEV	Deviation value display mode setting.	DEV <0~1>,<-9.9999E+30~9.9999E+30>	· Because the instrument does Not support deviation value display mode, this command will be igNored and will Not result in a command error.	Not compatible
DEV?	Query response in deviation value display mode is same as setting.	DEV?	· Because the instrument does Not support deviation value display mode, this command will be igNored and will Not result in a command error.	Not compatible
ELC	Electrode data setting.	ELC <0~1>,<0.0~999.9>,<0.1~1199.9>,<0.001~30.000>,<0.01~999.99>	· Because the instrument does Not support SIZE/ACTL selection, the SIZE/ACTL setting will be igNored.	:ELEctric:D1 <diameter(m)(NR2)> :ELEctric:D2 <diameter of thecenter(m)(NR2)> :ELEctric:T <Thickness (m)(NR2)> :ELEctric:K <Electrode constact(NR2)>
ELC?	Query response electrode data is same as setting.	ELC?	· Because the instrument does Not support SIZE/ACTL selection, the SIZE/ACTL response will always be "0."	:ELEctric:D1? :ELEctric:D2? :ELEctric:T? :ELEctric:K?
VCM	Selection of auto voltage check execute mode.	VCM <0~1>		:VCHeck:STATe <ON/OFF>
VCM?	Query response of auto voltage monitoring execute mode is same as setting.	VCM?		:VCHeck:STATe?
CCM	Selection of auto contact check execute mode.	CCM <0~1>		:CONtactcheck:STATe <ON/OFF>
CCM?	Query response of auto contact check execute mode is same as setting.	CCM?		:CONtactcheck:STATe?
WCP	Work capacity setting Capacity of work for open correction value calculation.	WCP <0.5~99.9>		:CONtactcheck:LIMit <Judgment reference value (F)(NR3)>
WCP?	Query response of work capacity is same as setting.	WCP?		:CONtactcheck:LIMit?
OST	Executes open correction once and capacity value measured during open correction is returned as a response.	OST?	· The response range is 0 to 99.999. · In the event of an error, the query will result in a response of 999.9.	:OPEN? :OPEN:VALue?
VCK?	Executes voltage check once and returns result of it as a response.	VCK?		:VCHeck?
CCK?	Executes contact check once and returns result of it as a response.	CCK?		:CONtactcheck?
TGM	Trigger mode setting.	TGM <0~2>	· Because the instrument does Not support the "1: Manual trigger" setting, specifying "1" will cause an external trigger to be set.	:TRIGger <INternal/EXTernal>
TGM?	Query response of trigger mode is same as setting.	TGM?	· Because the instrument does Not support the "1" setting, the response will be either "0" or "2."	:TRIGger?
RDT?	Measured data query.	RDT? <0~2>		:MEASure? :MEASure:COMParator? :MEASure:RESult? <1~255>
CMP	Comparison Measuring mode setting.	CMP <0~1>,<0~2>,<-9.9999E+30~9.9999E+30>,<-9.9999E+30~9.9999E+30>	· Because the instrument does Not support mode selection, the "Mode" setting will be igNored.	:COMParator:LIMit <OFF/Upper-limit(NR3)>,<OFF/Lower-limit(NR3)>
CMP?	Query response of Comparison Measuring mode is same as setting.	CMP?	· The "Comparison execution" query will result in a response of "1" if either the upper limit value or lower limit value is enabled. · The "Mode" query will always result in a response of "1."	:COMParator:LIMit?
SEQ	Sequential mode setting.	SEQ <0~1>,<0~9>,<0.0~999.9>,<0.0~999.9>,<0.0~999.9>		:SEQuence:STATe <ON/OFF> :SEQuence:NUMBer <0~9(NR1)> :SEQuence:TIME <Sequential Measuring No.(NR1)>,<Discharge time before measurement starts(s)(NR2)>,<Charging (voltage applied) time(s)(NR2)>,<Measuring Time(s)(NR2)>,<Discharge time after completion of measurement(s)(NR2)>
SEQ?	Same as set items of query SEQ command message in sequential mode.	SEQ?		:SEQuence:STATe? :SEQuence:NUMBer? :SEQuence:TIME? <Sequential Measuring No.(NR1)>
CNF	Operation environment setting.	CNF <0~1>,<0~1>,<0~1>,<0~1>	· Specifying "0" for the "Beep tone" parameter will disable all comparator judgment tones. · Specifying "1" for the "Beep tone" parameter and "0" for the "Beep tone PASS/FAIL" parameter will set the comparator judgment tone for HI and LO judgments to Type 1 and while disabling the judgment tone for IN judgments. · Specifying "1" for both the "Beep tone" parameter and the "Beep tone PASS/FAIL" parameter will disable the comparator judgment tone for HI and LO judgments while setting the tone for IN judgments to Type 1.	:INterlock <ON/OFF> :COMParator:BEEPer <HI/IN/LO>,<TYPE1/TYPE2/TYPE3/OFF>,<Times> :KEY:BEEPer <ON/OFF>
CNF?	Query response of operation environment is same as setting.	CNF?	· "Beep tone" queries will result in a response of "0" when all comparator judgment tones are disabled. · "Beep tone PASS/FAIL" queries will result in a response of "1" when the comparator judgment tone for IN judgments is Not disabled.	:INterlock? :COMParator:BEEPer? <HI/IN/LO> :KEY:BEEPer?
THL	Histogram display threshold setting.		· The instrument does Not provide a histogram display.This command will be igNored and will Not result in a command error.	Not compatible
THL?	Query response of threshold is same as setting.		· The instrument does Not provide a histogram display.This command will be igNored and will Not result in a command error.	Not compatible
RHS?	Histogram counter readout.		· The instrument does Not provide a histogram display.This command will be igNored and will Not result in a command error.	Not compatible
CHS	Histogram counter clear.		· The instrument does Not provide a histogram display.This command will be igNored and will Not result in a command error.	Not compatible

BSZ?	Reads number of data groups in the measured data buffer.			:MEMory:COUNT?
RBF?	Measured data buffer readout.	RBF? <0~1>		:MEMory? <1~255>
CBF	Measured data buffer clear.	CBF		:MEMory:CLear
ACL	Auto self-calibration (current range calibration) setting.	ACL <0~1>,<10~9999>	· Because the upper limit on the instrument's automatic self-calibration interval time is 600 sec., specifying a time from 601 to 9999 sec. will cause the parameter to be set to 600 sec.	:CALibration:AUTO <ON/OFF> :CALibration:TIME <Time(s)(NR1)>
ACL?	Query response of auto self-calibration (current range calibration) is same as setting.	ACL?	· Because the valid setting range for the instrument's automatic self-calibration interval time is 1 to 600 sec., the response will be a value from "1" to "600."	:CALibration:AUTO? :CALibration:TIME?

Execution And Execution Result Program Messages

DSM8104	Function	Format	Compatibility Notes	SM7110, SM7120
ERR?	Error information clear.	ERR?	· The instrument does Not have an error register. This command will be igNored and will Not result in a command	Not compatible
DSE	Sets the device event status enable register.	DSE <0~255>		:DSE <0~255(NR1)>
DSE?	Query response data of the device event status enable register is same as setting.	DSE?		:DSE?
DSR?	Query about data of the device event status enable register.	DSR?		:DSR?
*SAV	Environmental data save.	*SAV <0~9>	· The instrument uses panel numbers 1 through 10. For example, specifying "0" will cause the settings to be saved as Panel 1.	:PANel:SAVE <1~10(NR1)>
*RCL	Environmental data recall.	*RCL <0~9>	· The instrument uses panel numbers 1 through 10. For example, you would specify "0" to load Panel 1.	:PANel:LOAD <1~10(NR1)>
*IDN?	Equipment ID query.	*IDN?	· This query generates a response of "<Name of manufacturer>,<Name of model>,<Serial number>,<Software	*IDN?
*CAL?	Self-calibration (current range calibration) execute.	*CAL?	· Auto-calibration takes about 5 sec.	:CALibration?
*TST	Self-diagNosis result query.	*TST?	· This query returns "0" if there is No error, or "1" if there is a ROM error. The DSM8104 uses the opposite logic.	*TST?
*TRG	The same function as the GET message.	*TRG	· Attempting to use the internal trigger will result in an execution error. · Using the external trigger will generate one trigger event if the start state is in effect. · The instrument will return the measured value if it is set to DSM mode: "<Channel>,<Measured value>,<Status>,<Comparison result>."	*TRG
*CLS	Status register clear.	*CLS		*CLS
*SRE	Sets the service request enable register.	*SRE <0~255>	· The instrument does Not support "Bit 0: MEC."	*SRE <0~255 (NR1)>
*SRE?	Query of data in the service request enable register.	*SRE?	· The instrument does Not support "Bit 0: MEC."	*SRE?
*STB?	Query of data in the status byte register.	*STB?		*STB?
*ESE	Sets the standard event status enable register.	*ESE <0~255>		*ESE <0~255(NR1)>
*ESE?	Query of data in the standard event status enable register.	*ESE?		*ESE?
*ESR?	Query of data in the standard event status register.	*ESR?		*ESR?
*RST	Initialize.	*RST	· This command reverts the instrument to its factory defaults, with the exception of communication settings and panel data (i.e., it initiates a Normal reset).	*RST
*OPC	Sets OPC bit of the standard event status register after all operations being executed are finished.	*OPC	· This command sets the OPC bit after processing of the command received before the "*OPC" command completes.	*OPC
*OPC?	Returns "1" after all operations being executed are finished.	*OPC?	· This command returns "1" after processing of the command received before the "*OPC" command completes.	*OPC?

HIOKI
www.hioki.com/



**All regional
contact
information**

HIOKI E.E. CORPORATION

81 Koizumi, Ueda, Nagano 386-1192 Japan

2402 EN

Edited and published by HIOKI E.E. CORPORATION

Printed in Japan

- Contents subject to change without notice.
- This document contains copyrighted content.
- It is prohibited to copy, reproduce, or modify the content of this document without permission.
- Company names, product names, etc. mentioned in this document are trademarks or registered trademarks of their respective companies.

Europe only

- EU declaration of conformity can be downloaded from our website.
- Contact in Europe: HIOKI EUROPE GmbH
Helfmann-Park 2, 65760 Eschborn, Germany hioki@hioki.eu