

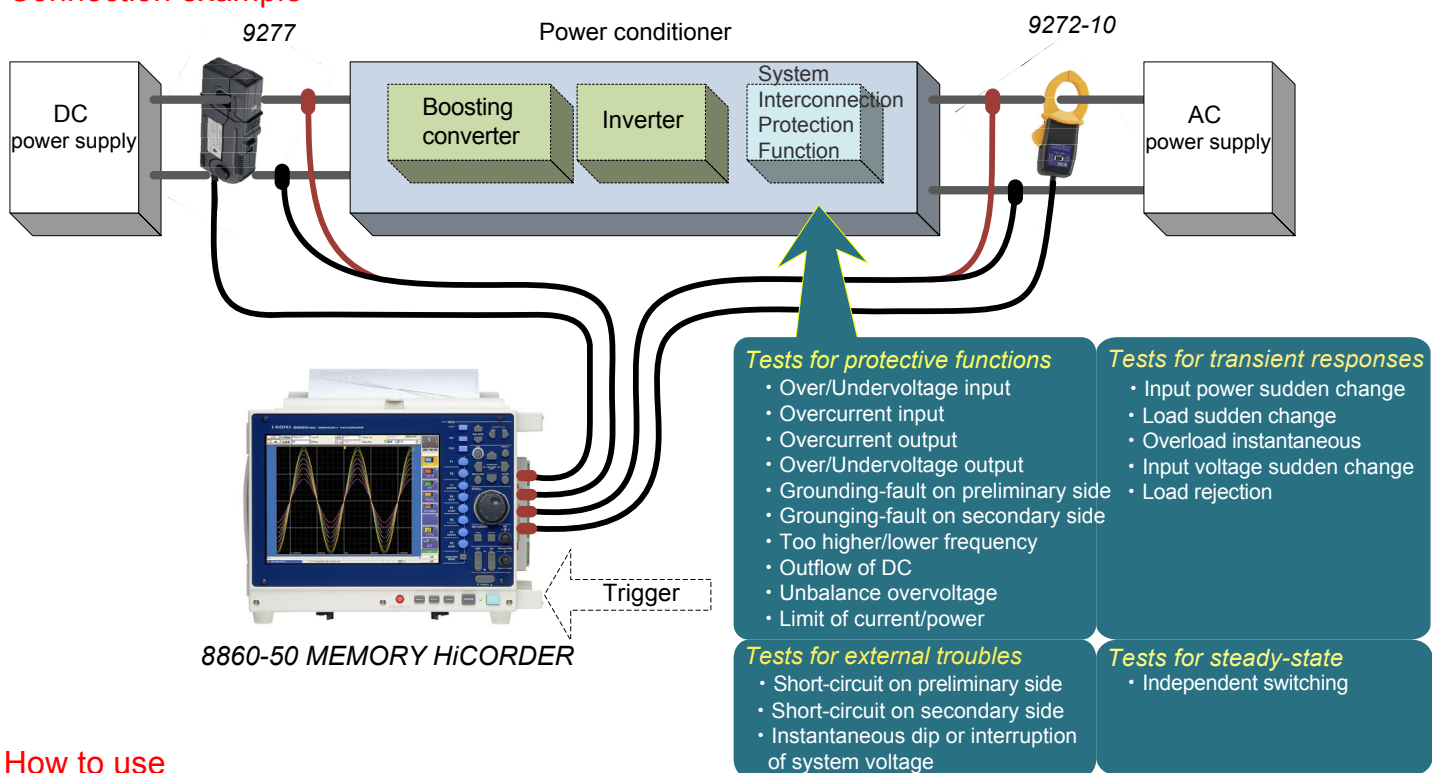
## Testing System Interconnection Protection Function of Power Conditioners

Record voltage and current waveforms and test the steady-state characteristics, transient response, external failure, and action time of the system interconnection protection function of a power conditioner.

### Highlights

- The 8860-50 MEMORY HiCORDER is used to perform tests in accordance with the testing procedure defined in JIS C8962.
- The 8961 High Voltage Unit option for the 8860-50 with isolated inputs can measure the voltage waveforms of input and output simultaneously.
- The 8940 Frequency/Voltage (F/V) Unit that can supply power to the current sensor facilitates connection.
- A variety of trigger types such as level, voltage drop, window, and period ensure recording of waveforms.

### Connection example



### How to use

- Select the appropriate current sensor according to the type and level of electric current.
- Set the trigger conditions and start measurement.
- Add conditions according to the individual test items.
- Obtain the action time from the recorded waveforms using the cursor measurement function.

For details on the testing procedure, refer to the JIS C8962-2008 Testing Procedure of Power Conditioner for Small Photovoltaic Power Generation Systems.

Products used	MEMORY HiCORDER 8860-50 HIGH VOLTAGE UNIT 8961 MEMORY BOARD(32MW) 9715-50 F/V UNIT 8940 CONVERSION CABLE 9318 CONVERSION CABLE 9705 CLAMP ON PROBE 9272-10 (AC) UNIVERSAL CLAMP ON CT 9277 (AC/DC) UNIVERSAL CLAMP ON CT 9278 (AC/DC) UNIVERSAL CLAMP ON CT 9279 (AC/DC)
---------------	---