

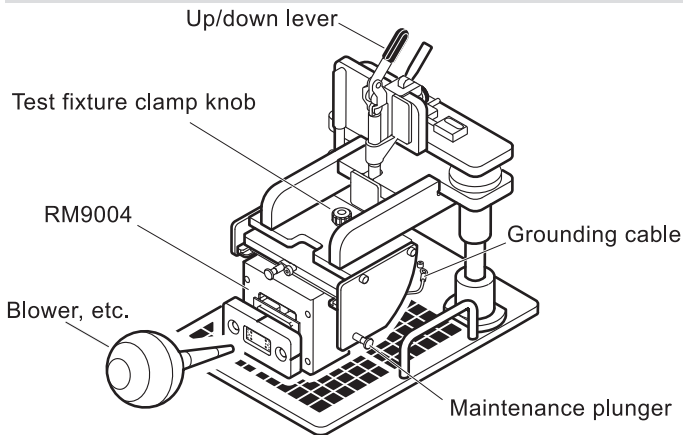
Slide the RM9004 Test Fixture into position along the RM9003 Press Unit's test fixture insertion rails.

(For more information, see the instruction manual.)

Basic operation

1. Place an electrode sheet on the measurement stage.
(The probes will make contact with the bold graduated marks on the graduated plate.)
2. Pull the up/down lever toward you and down while pulling the lock release lever toward you.
The RM9004 Test Fixture will move downward under its own weight.
3. Start measurement once the RM9004 Test Fixture is fully lowered.(For more information about the configuring measurement conditions and the measurements, see the instruction manual.)
4. Once measurement completes, raise the up/down lever. Remove the electrode sheet after verifying that the RM9004 Test Fixture is fully raised.

RM9004 Test Fixture Quick Manual



Raise the RM9003 Press Unit's up/down lever and disconnect the RM9005 Connection Cable and ground cable from the rear of the unit. (For detailed instructions, see the instruction manual.)

Cleaning the probe tips

1. Rotate the test fixture lock knob to the "UNLOCK" position to release the fixture while holding the RM9004 Test Fixture in place with your hand.
2. Gradually remove your hand to allow the bottom of the test fixture to rotate upward so that it faces forward.
3. Pull out the maintenance plunger once the bottom of the test fixture has rotated 90° to lock it in place.
4. Clean the probe tips with a blower or other suitable implement.

Caution:

Do not touch the probes as they are extremely slender.