

HIOKI

Remote Operation Manual

SS7012

DC SIGNAL SOURCE

HIOKI E. E. CORPORATION

March 2010 Revised edition 1 SS7012A983-01 10-03H

Contents

Introduction.....	1
Safety Information	1
SS7012 Remote Interface Overview	2
Connect a USB cable	3
Setting Remote Interface Parameters	3
Enabling key operation.....	3
Commands Summary.....	4
Response Messages.....	5
Command Message List.....	6
Examples of sending commands	12

Introduction

This manual details the methods to operate the SS7012 DC Signal Source using communication functions, as well as all the commands used by the SS7012. When the communication function is used, the SS7012 can be manually operated using communication terminal software. Furthermore, application software to automatically control the SS7012 can be run.

Safety Information

The following symbols in this manual indicate the relative importance of cautions and warnings.



Indicates that incorrect operation presents a possibility of injury to the user or damage to the instrument.



Indicates advisory items related to performance or correct operation of the instrument.

SS7012 Remote Interface Overview

Figure 1 shows a block diagram of the SS7012 remote interface.

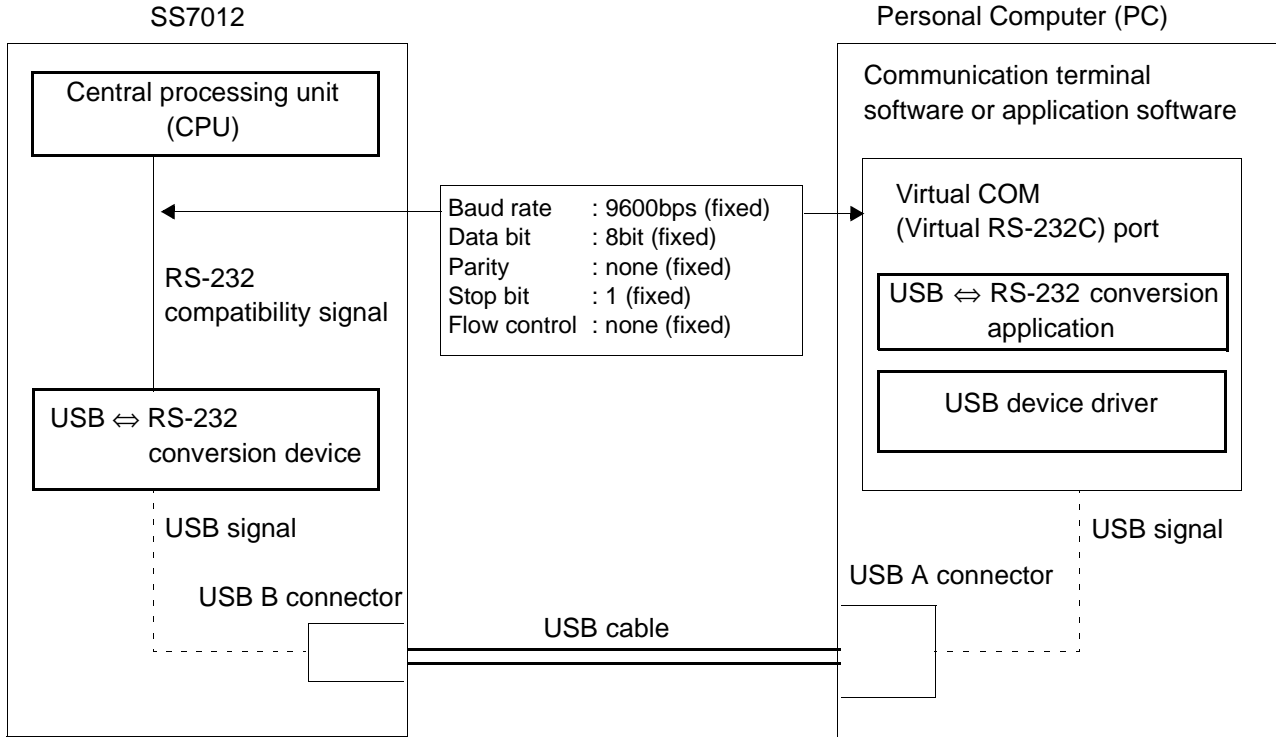
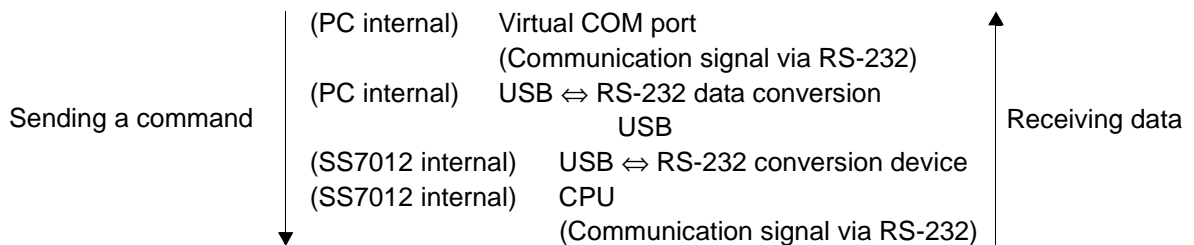


Figure 1: Overview block diagram of the SS7012 remote interface

Operating principle

Communication between a personal computer and the SS7012 is virtual RS-232 serial communication. While the USB interface is installed as the transmission route, actual communication uses RS-232.

It is necessary to issue RS-232 commands via the virtual COM port. When RS-232 commands are issued to the virtual COM port, commands are sent to the SS7012 in the following order. (For the receipt of data, the order is reversed.)



Connect a USB cable

Before connecting the USB cable, install the USB driver on the personal computer. The USB driver is located on the CD that accompanied the SS9000 Communication Package.

For installation instructions, please refer to the instruction manual of the SS9000 Communication Package.

After installing the USB driver, connect the personal computer and SS7012 as shown in Figure 2. The virtual RS-232 COM port will be automatically assigned to the USB port.

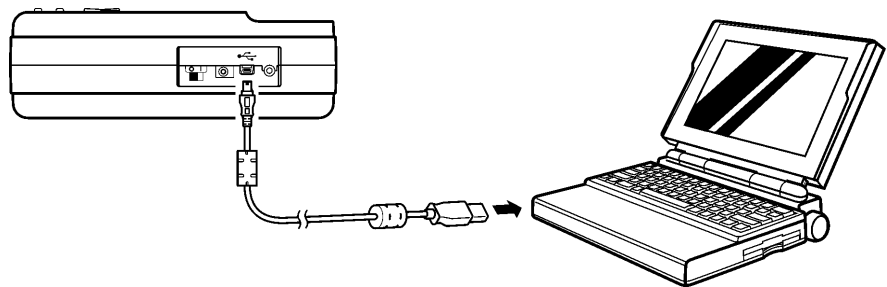


Figure 2: Cable connection for Communication

Setting Remote Interface Parameters

In order to send communications, the serial interface parameters of the SS7012 and personal computer must match.

Table 1 shows the settings required for communication. These parameters are fixed. If any other settings are used, communication is not possible.

Table 1: Remote Interface Parameters (All fixed values)

Item	Parameter	Fixed settings
1	Baud rate	9600
2	Data bit	8
3	Parity	None
4	Stop bit	1
5	Flow control	None

Enabling key operation

While the SS7012 is communicating, key operation of the SS7012 cannot be used. (On the LCD of the SS7012, **RMT** is on.)

To enable key operation of the SS7012, push the **LOCAL** key of the SS7012.

RMT goes out.

Commands Summary

Overview of Command Type and Format

All commands can be entered in upper and lowercase.

Command Format and Query Format

The commands control instrument functions.

The following example shows a command and its associated query:

Example 1:

(Transmission command)	CVV 1.0000<CR><LF>	(Set the source voltage value to 1 V.)
(Response 1)	OK<CR><LF>	(When the transmission command was sent normally)
(Response 2)	CMD ERR<CR><LF>	(When there is an error in the transmission command)

Example 2:

(Transmission command)	RMV?<CR><LF>	(Query the voltage monitor value)
(Response 1)	1.0000<CR><LF>	
(Response 2)	CMD ERR<CR><LF>	(When there is an error in the transmission command)

Query Command

The query command ends with a question mark "?".

Terminator (delimiter)

A terminator is a character, which identifies the end of a command string. A valid terminator consists of two-byte data:

<CR>	(Carriage Return, ASC(&H0D))
<LF>	(Line Feed, ASC(&H0A))

Response Messages

Return Result

After the instrument executes a query command the return of the result will be in the following format:

<Result><CR><LF>

The format of measurement data will be shown as following:

<Measurement Data><CR><LF>

The format of monitor data will be shown as following:

<Monitor Data><CR><LF>

The format of setting command will be shown as following:

(Response 1) **OK<CR><LF>** (When the setting command was processed normally)

(Response 2) **CMD ERR<CR><LF>** (When there is an error in the transmission command)

Data Types

Returned message is the ASCII string from the instrument responding to a query.

A query is a command followed by a question mark.

The following table 2 is explanation for data types.

Table 2: Data Types of Responding Message and Parameter

Data Type	Explanation	Example
NR1	An integer	0, 1, 2, 3, etc.
NR2	This numeric representation has an explicit radix point.	+13.234, 400.0, etc.
ASCII	ASCII string	XXXXXXXXXXXX (device ID etc.)

NOTE

When key operation is used with the SS7012 and memory write mode or memory clear mode is enabled, commands are disabled and “**CMD ERR<CR><LF>**” is returned. Before sending a command, always exit memory write mode or memory clear mode.

See: Memory write mode ⇒ Instruction manual of the SS7012 (p. 53)

Memory clear mode ⇒ Instruction manual of the SS7012 (p. 61)

Command Message List

1. Sourcing

1-1. Normal source

Command	Description	Formats
FCC	Set the source function. The setting value will be 0, the output will be "OFF." d1 (Setting of source function: 0 to 4) 0: CV:2.5V 1: CV:25V 2: CC:25mA 3: TC:0°C 4: TC:RJ	[Format] FCC d1 d1: NR1 format [Response] OK or CMD ERR
FCC?	Query the setting of source function. The contents of responses are the same as the settings.	[Format] FCC? [Response] d1: NR1 format
OUT	Set the output ON or OFF d1 (Setting of output: 0 to 1) 0: OFF 1: ON A CMD ERR response is issued in the following situations. Furthermore, bit2 of the ERR? Query is 1. 1. When all memory is SKIP in recall source mode or scan source mode 2. In the battery low status 3. In TC:RJ function, when no temperature probe is connected or the measurement temperature is outside the -25°C to 80°C range 4. In TC:RJ function, when the thermocouple type is B and the measurement temperature is less than 0 °C	[Format] OUT d1 d1: NR1 format [Response] OK or CMD ERR
OUT?	Query the output setting The contents of responses are the same as the settings.	[Format] OUT? [Response] d1: NR1 format
CVV	Set the source voltage value This command is valid only in CV:2.5V or CV:25V. d1 (Source voltage value (in CV:2.5V): unit; V) -2.5000 to 2.5000 d1 (Source voltage value (in CV:25V): unit; V) -25.000 to 25.000	[Format] CVV d1 d1: NR2 format [Response] OK or CMD ERR
CVV?	Query the source voltage value This command is valid only in CV:2.5V or CV:25V. The contents of responses are the same as the settings.	[Format] CVV? [Response] d1: NR2 format or d1: SKIP (ASCII format, when a skip setting in memory source)

Command	Description	Formats
CCA	Set the source current value This command is valid only in CC:25mA. d1 (Source current value: unit; mA) -25.000 to 25.000	[Format] CCA d1 d1: NR2 format [Response] OK or CMD ERR
CCA?	Query the source current value This command is valid only in CC:25mA. The contents of responses are the same as the settings.	[Format] CCA? [Response] d1: NR2 format or d1: SKIP (ASCII format, when a skip setting in memory source)
TCC	Set the source thermoelectromotive force value This command is valid only in TC:0°C or TC:RJ. d1 (Thermocouple type: K, E, J, T, R, S, B, N) K(K thermocouple) temperature range: -174.0 to 1372.0 E(E thermocouple) temperature range: -220.0 to 839.0 J(J thermocouple) temperature range: -208.0 to 1108.0 T(T thermocouple) temperature range: -169.0 to 400.0 R(R thermocouple) temperature range: -50 to 1768 S(S thermocouple) temperature range: -50 to 1768 B(B thermocouple) temperature range: 300 to 1820 N(N thermocouple) temperature range: -113.0 to 1300.0 d2 (Temperature: unit; °C) The temperature value of the above mentioned thermocouple ranges	[Format] TCC d1, d2 d1: ASCII format d2: NR2 format [Response] OK or CMD ERR
TCC?	Query the source thermoelectromotive force value This command is valid only in TC:0°C or TC:RJ. The contents of responses are the same as the settings.	[Format] TCC? [Response] d1: ASCII format d2: NR2 format or d1: SKIP (ASCII format, when a skip setting in memory source)
ROV?	Query the overload status d1 (Query of overload status: 0 to 1) 0: Overload not detected 1: Overload detected	[Format] ROV? [Response] d1: NR1 format

1-2. Output monitor

Command	Description	Formats
MON	Set the monitor ON or OFF d1 (Setting of monitor: 0 to 1) 0: Monitor OFF 1: Monitor ON	[Format] MON d1 d1: NR1 format [Response] OK or CMD ERR
MON?	Query the setting of monitor The contents of responses are the same as the settings.	[Format] MON? [Response] d1: NR1 format
RMV?	Query the current monitor value during output of voltage This command is valid only in CV:2.5V or CV:25V. d1 (Current monitor value: unit; mA) -28.00 to 28.00	[Format] RMV? [Response] d1: NR2 format or CMD ERR: When the input is out of the measurement range.
RMC?	Query the voltage monitor value during output of current This command is valid only in CC:25mA. d1 (Voltage monitor value: unit; V) -28.00 to 28.00	[Format] RMC? [Response] d1: NR2 format or CMD ERR: When the input is out of the measurement range.
RMT?	Query the temperature monitor value This command is valid only in TC:0°C or TC:RJ. d1 (Temperature monitor value (in TC:RJ): unit; °C) -25.0 to 80.0 d1 (Temperature monitor value (in TC:0°C): unit; °C) 0.0	[Format] RMT? [Response] d1: NR2 format or CMD ERR: When the input is out of the measurement range.

1-3. Memory source

Command	Description	Formats
MMD	Set the source mode. d1 (Setting of source mode: 0 to 2) 0: Normal source mode 1: Recall source mode 2: Scan source mode	[Format] MMD d1 d1: NR1 format [Response] OK or CMD ERR
MMD?	Query the setting of source mode. The contents of responses are the same as the settings.	[Format] MMD? [Response] d1: NR1 format
MEM	Saving setting value to memory (Refer to the caution on p.11) Set the source function to store the setting value ahead of time. This command is valid only in normal source mode. d1 (Address) 01 to 20 d2 (Source voltage value (in CV:2.5V): unit; V) -2.5000 to 2.5000 d2 (Source voltage value (in CV:25V): unit; V) -25.000 to 25.000 d2 (Source current value (in CC:25mA): unit; mA) -25.000 to 25.000 d2 (Source temperature value (in TC:0°C or TC:RJ): unit; °C) The temperature values for the following thermocouples * A SKIP string can be set for d2 d3 (Thermocouple type: K, E, J, T, R, S, B, N) K (K thermocouple) temperature range: -174.0 to 1372.0 E (E thermocouple) temperature range: -220.0 to 839.0 J (J thermocouple) temperature range: -208.0 to 1108.0 T (T thermocouple) temperature range: -169.0 to 400.0 R (R thermocouple) temperature range: -50 to 1768 S (S thermocouple) temperature range: -50 to 1768 B (B thermocouple) temperature range: 300 to 1820 N (N thermocouple) temperature range: -113.0 to 1300.0	[Format 1] MEM d1, d2, d3 d1: NR1 format d2: NR2 format d3: ASCII format [Format 2] MEM d1, d2 d1: NR1 format d2: NR2 format [Format 3] MEM d1, SKIP [Response] OK or CMD ERR
MEM?	Query setting values saved to memory d1 (Source voltage value (in CV:2.5V): unit; V) -2.5000 to 2.5000 d1 (Source voltage value (in CV:25V): unit; V) -25.000 to 25.000 d1 (Source current value (in CC:25mA): unit; mA) -25.000 to 25.000 d1 (Source temperature value (in TC:0°C or TC:RJ): unit; °C) Temperature value corresponding to each thermocouple d2 (Thermocouple type (in TC:0°C or TC:RJ)) K, E, J, T, R, S, B, N	[Format] MEM? d1 d1: Address (NR1 format) [Response] d1: Source value (NR2 format) d2: Thermocouple type (ASCII format, in TC:0°C or TC:RJ)
MRM	Initialize setting values saved to memory (Refer to the caution on p.11) This command is valid only in normal source mode. d1 (Source function: 0 to 4) 0: CV:2.5V 1: CV:25V 2: CC:25mA 3: TC:0°C, TC:RJ 4: ALL	[Format] MRM d1 d1: NR1 format [Response] OK or CMD ERR

Command	Description	Formats
RCL	Set the address for recall sourcing This command is valid only in recall source mode. d1 (Address: 01 to 20)	[Format] RCL d1 d1: NR1 format [Response] OK or CMD ERR
SCN	Set the start address for sourcing and sourcing time interval for scan sourcing (Refer to the caution on p.11) This command is valid only in scan source mode. d1 (Start address for sourcing) 01 to 20 d2 (Sourcing time interval: unit; sec.) 01 to 99	[Format] SCN d1, d2 d1: NR1 format d2: NR1 format [Response] OK or CMD ERR
SCN?	Query the scan sourcing The contents of responses are the same as the settings.	[Format] SCN? [Response] d1: Address (NR1 format) d2: Sourcing time interval (NR1 format)

2. Measurement

Command	Description	Formats
FCM	Set the measure function. d1 (Setting of measure function: 0 to 4) 0: OFF 1: V:2.5V 2: V:25V 3: A:25mA 4: TEMP	[Format] FCM d1 d1: NR1 format [Response] OK or CMD ERR
FCM?	Query the setting of measure function. The contents of responses are the same as the settings.	[Format] FCM? [Response] d1: NR1 format
RDV?	Query the measured voltage value This command is valid only in V:2.5V or V:25V. d1 (Measured voltage value (in V:2.5V): unit; V) -2.8000 to 2.8000 d1 (Measured voltage value (in V:25V): unit; V) -28.000 to 28.000	[Format] RDV? [Response] d1: NR2 format or CMD ERR: When the input is out of the measurement range.
RDC?	Query the measured current value This command is valid only in A:25mA. d1 (Measured current value: unit; mA) -28.000 to 28.000	[Format] RDC? [Response] d1: NR2 format or CMD ERR: When the input is out of the measurement range.
RDT?	Query the measured temperature value This command is valid only in TEMP. d1 (Measured temperature value: unit; °C) -25.0 to 80.0	[Format] RDT? [Response] d1: NR2 format or CMD ERR: When the input is out of the measurement range.
ADJ	Zero adjustment Zero adjust the current measurement value. This command is valid when the measurement value is within ± 100 counts in V:2.5V, V:25V or A:25mA.	[Format] ADJ [Response] OK or CMD ERR

3. Others

Command	Description	Formats
RBT?	Query the battery low status d1 (Query of battery low status: 0 to 1) 0: Battery low status not detected 1: Battery low status detected	[Format] RBT? [Response] d1: NR1 format
RRJ?	Query the temperature probe connection status This command is valid only in TC:RJ sourcing or temperature measurement. d1 (Query of temperature probe status: 0 to 1) 0: Temperature probe not connected, the input temperature is outside the measurement range (of -25°C to 80°C). 1: Temperature probe connected	[Format] RRJ? [Response] d1: NR1 format
ERR?	Query the error register. d1 (error register query: 0 to 255) bit7: unused bit6: MLE Message length error bit5: HDE Message header error bit4: DFE Data notation error bit3: DRE Data range error bit2: CNE Command not enforceable bit1: ISE Internal signal error bit0: BDE Environment data corrupted	[Format] ERR? [Response] d1: NR1 format
*IDN?	Query the Device ID. d1: Query the Device ID. Manufacturer's name, Model name, Software version (Response example) HIOKI,SS7012, Ver 1.01	[Format] *IDN? [Response] d1: ASCII format



Do not turn off the power switch of SS7012 while executing MEM, MRM or SCN command. Do not execute these commands while Battery low warning indicator flashing. These may damage SS7012 and cause the internal error.

Examples of sending commands

1. Sourcing

1-1. Normal sourcing

When sourcing 4 mA

Command	Description
<code>FCC 2<CR><LF></code>	Sets [CC:25mA].
<code>CCA 4<CR><LF></code>	Sets the setting value to 4 mA.
<code>OUT 1<CR><LF></code>	Sets output to ON.
<code>OUT 0<CR><LF></code>	Sets output to OFF.

1-2. Output monitor

When monitoring the output current while sourcing 24 V.

Command	Description
<code>FCC 1<CR><LF></code>	Sets [CV:25V].
<code>CVV 24<CR><LF></code>	Sets the setting value to 24 V.
<code>OUT 1<CR><LF></code>	Sets output to ON.
<code>MON 1<CR><LF></code>	Switches monitor on.
<code>RMV?<CR><LF></code>	Query the output current.
<code>MON 0<CR><LF></code>	Switches monitor off.
<code>OUT 0<CR><LF></code>	Sets output to OFF.

1-3. Memory sourcing

When sourcing the setting value in address 01 with recall sourcing in the current source function.

Command	Description
<code>FCC 2<CR><LF></code>	Sets [CC:25mA].
<code>MMD 1<CR><LF></code>	Sets recall source mode.
<code>RCL 1<CR><LF></code>	Sets the address to 1.
<code>OUT 1<CR><LF></code>	Sets output to ON.
<code>OUT 0<CR><LF></code>	Sets output to OFF.

2. Measurement

When performing voltage measurement at [V:25V]

Command	Description
<code>FCM 2<CR><LF></code>	Sets [V:25V].
<code>ADJ<CR><LF></code>	Execute the zero adjustment. Short out the ends of the test leads.
<code>RDV?<CR><LF></code>	Query the measured voltage value.

MEMO

HIOKI
www.hioki.com/



**All regional
contact
information**

HIOKI E.E. CORPORATION

81 Koizumi, Ueda, Nagano 386-1192 Japan

2309 EN

Edited and published by HIOKI E.E. CORPORATION

Printed in Japan

- Contents subject to change without notice.
- This document contains copyrighted content.
- It is prohibited to copy, reproduce, or modify the content of this document without permission.
- Company names, product names, etc. mentioned in this document are trademarks or registered trademarks of their respective companies.

Europe only

- EU declaration of conformity can be downloaded from our website.
- Contact in Europe: **HIOKI EUROPE GmbH**
Helfmann-Park 2, 65760 Eschborn, Germany hioki@hioki.eu