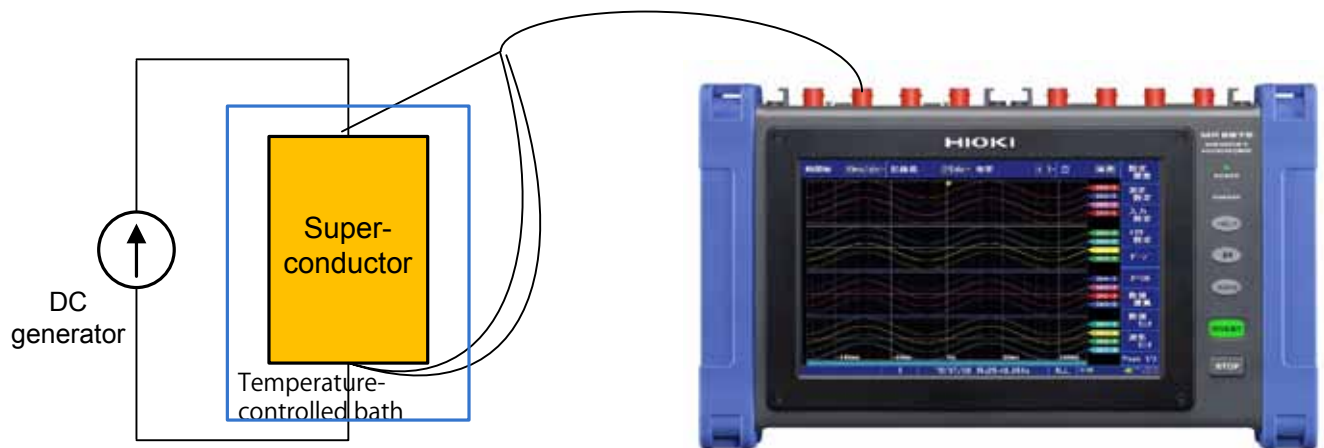


Measure minute voltage waveforms of devices, superconducting materials and contacts

Perform long-term logging of minute voltage waveforms of voltages applied to devices and voltage drops in superconducting materials and contacts.

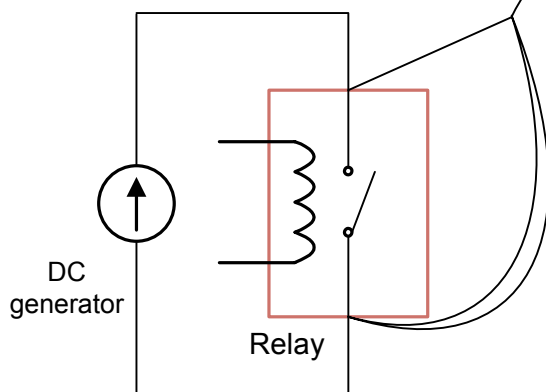
■ Highlights

Use logging functions to assess device characteristics, superconducting materials, voltage drops in contacts (contact impedance measurements), etc. in the order of microvolts. Simultaneously measure temperature and other voltages.



Voltage measurement of superconductors

MEMORY HiCORDER MR8875
STRAIN UNIT MR8903



Contact impedance measurement of relay

STRAIN UNIT MR8903

Voltage measurement range : 50 $\mu\text{V}/\text{div}$ ~ 1000 $\mu\text{V}/\text{div}$
full scale 20div

Channel Sampling : 4ch Voltage Measurement
: 200kS/s

Installing Strain Unit MR8903 in MEMORY HiCORDER MR8875 allows you to measure and record minute voltage waveforms. A test cable is not provided.

Use a U-37 cable manufactured by Kyowa. Customers will have to provide their own cables. Connect the crocodile clips of the card to the crocodile cable on the black side.

Products used

MEMORY HiCORDER MR8875

STRAIN UNIT MR8903

VOLTAGE/TEMP UNIT MR8902

For other voltage and temperature measurements, add an MR8902.

- Information valid as of February 2012.
- Specifications are subject to change and revision without notice.