

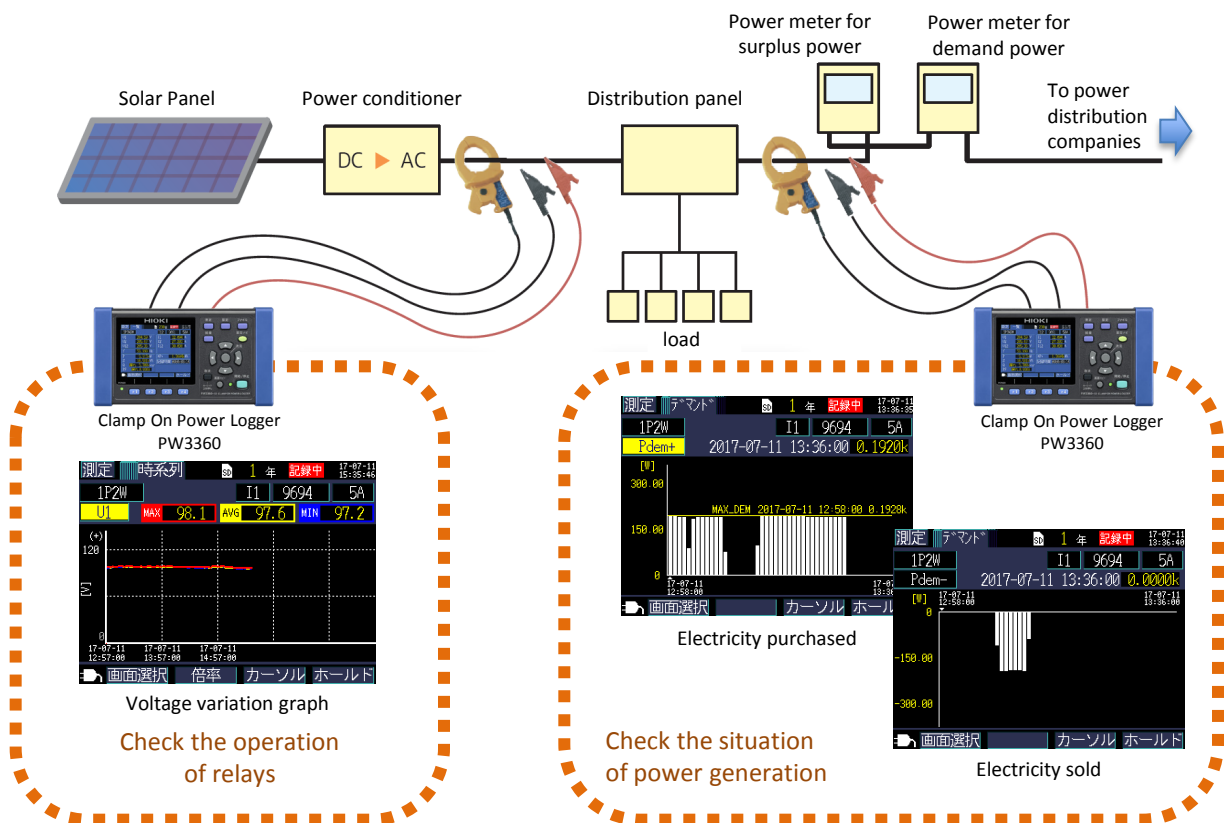
Power, Environment, Energy / Service, Maintenance

Checking the Amount of Electricity Sold in Photovoltaic (PV) Systems

The amount of electricity sold and purchased in PV systems can be measured and displayed - allowing the verification of the systems on the spot.

■ Highlights

- The PW3360 Power Quality Analyzer can measure the amount of electricity sold and purchased simultaneously. The data allows you to confirm that the PV system works normally.
- The PW3360 can measure output of the power conditioner and display voltage and frequency changes. The data can be used to check the operation of relays.
- Demand and change graphs displayed in color on the screen of the PW3360 allow you to check the operation of the PV system on the spot.



■ Information

For further survey of power quality, Hioki recommends the PQ3198 or the PQ3100.



Power Quality Analyzer
PQ3198



Power Quality Analyzer
PQ3100

Products Used

- Clamp On Power Logger PW3360-21 (English model, main unit only, with harmonics analysis function)
- Clamp On Sensor 9661 (AC 500A)
- SD Memory Card Z4001 (2GB)
- Carrying Case C1005
- Power Logger Viewer (PC application software) SF1001
- Power Quality Analyzer PQ3198 (main unit only, PC application software included)
- Power Quality Analyzer PQ3100 (main unit only, PC application software included)

Information valid as of March 2019. Specifications are subject to change and revision without notice.