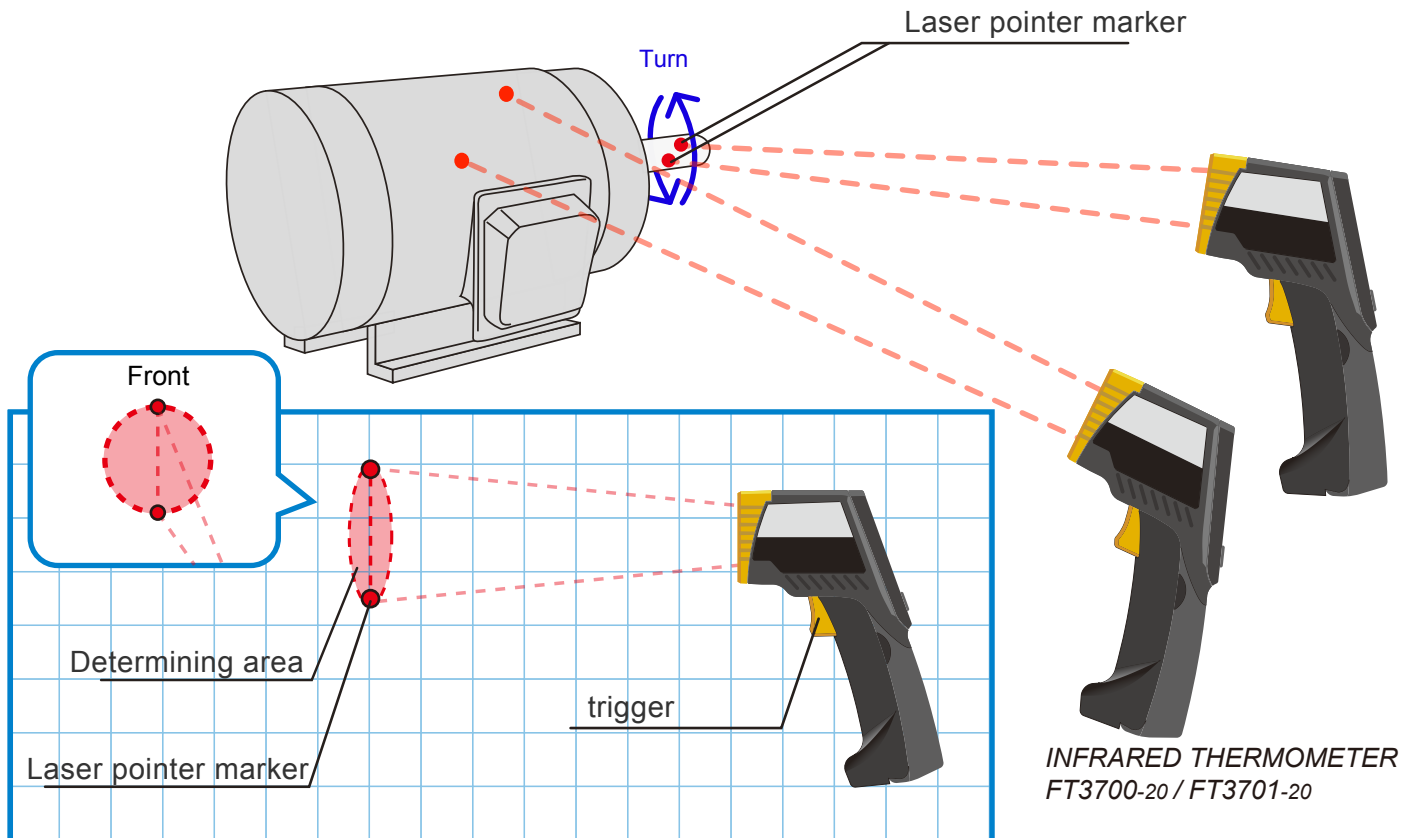


Measuring Motor Shaft Temperature

Safely measure the temperature of moving objects such as rotating motor shafts.

■ Highlights

- Measurements are easy even at hard-to-reach ceiling locations.
 - Temperature is measured in the circle with diameter indicated by the two laser pointer markers.
 - The measurement location is immediately visible where the two laser pointers hit.
- Simply pull the trigger on the comfortable grip housing to measure temperature.



Products used

INFRARED THERMOMETER FT3700-20 (Long-focus type)

INFRARED THERMOMETER FT3701-20 (Long-focus type, Precise-field type)