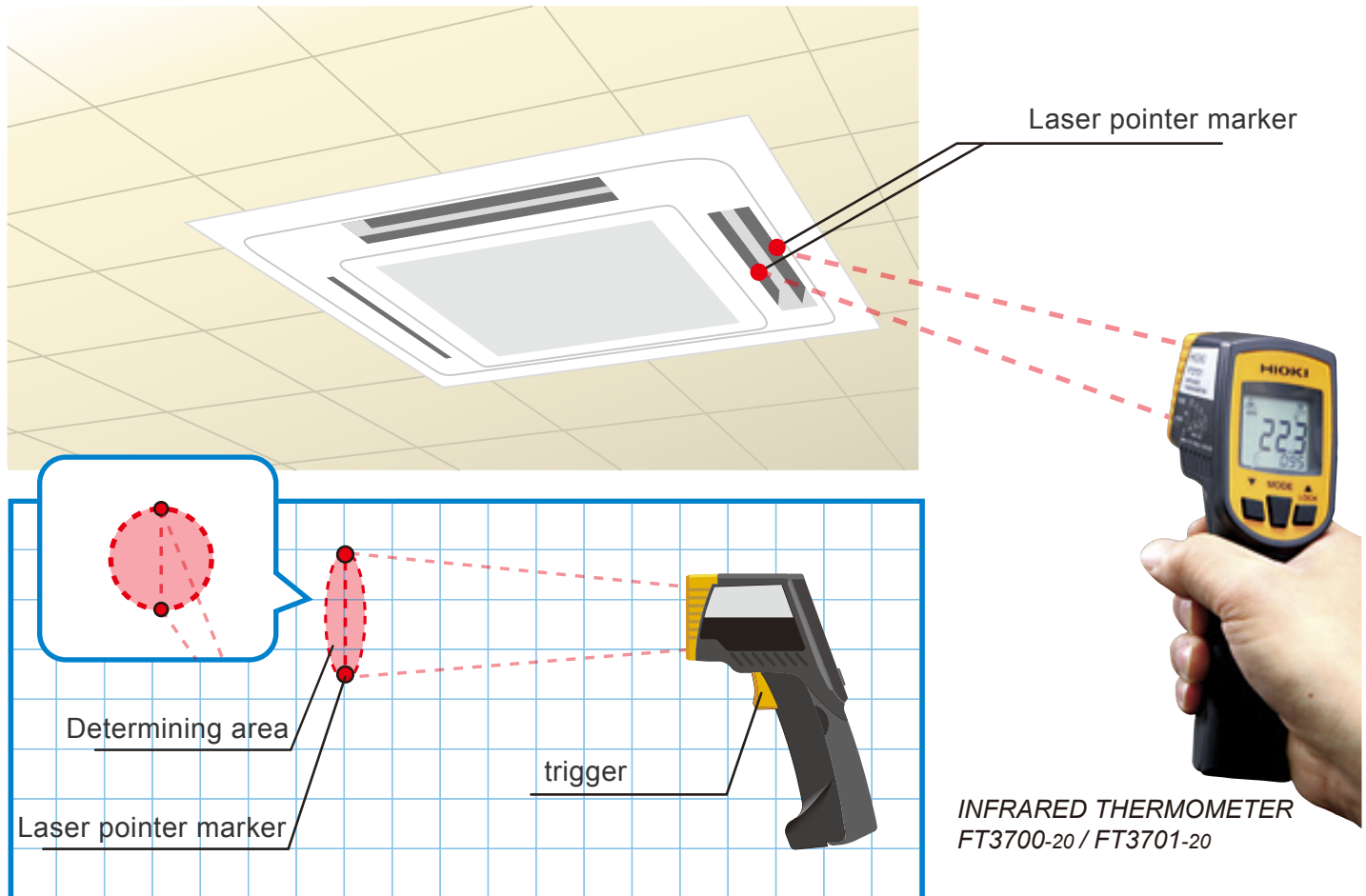


Measuring Air Conditioner Outlet Temperature

Quickly and efficiently measure the hard-to-reach outlets of ceiling air conditioners to check for optimum performance

■ Highlight

- Measurements are easy even at hard-to-reach ceiling locations.
- Temperature is measured in the circle with diameter indicated by the two laser pointer markers.
- The measurement location is immediately visible where the two laser pointers hit.
- Simply pull the trigger on the comfortable grip housing to measure temperature.



Products used

INFRARED THERMOMETER FT3700-20 (Long-focus type)

INFRARED THERMOMETER FT3701-20 (Long-focus type, Precise-field type)