

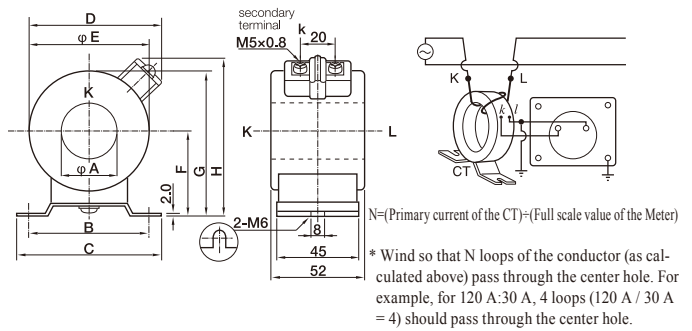
**Expand Input Range for Use with Meter Relays (50/60 Hz, 1.0 % class)**

**CURRENT TRANSFORMER CT-5MRN series**

Not CE Marked



■ Dimensions and connecting diagrams



■ Basic specifications

Model	Primary	Secondary	Rated load	Class	Max. rated voltage
CT-5MRN100	100 A	5 A	5 VA	1.0 %	1150 V
CT-5MRN120	120 A	5 A	5 VA	1.0 %	1150 V
CT-5MRN150	150 A	5 A	5 VA	1.0 %	1150 V

■ Dimensions table

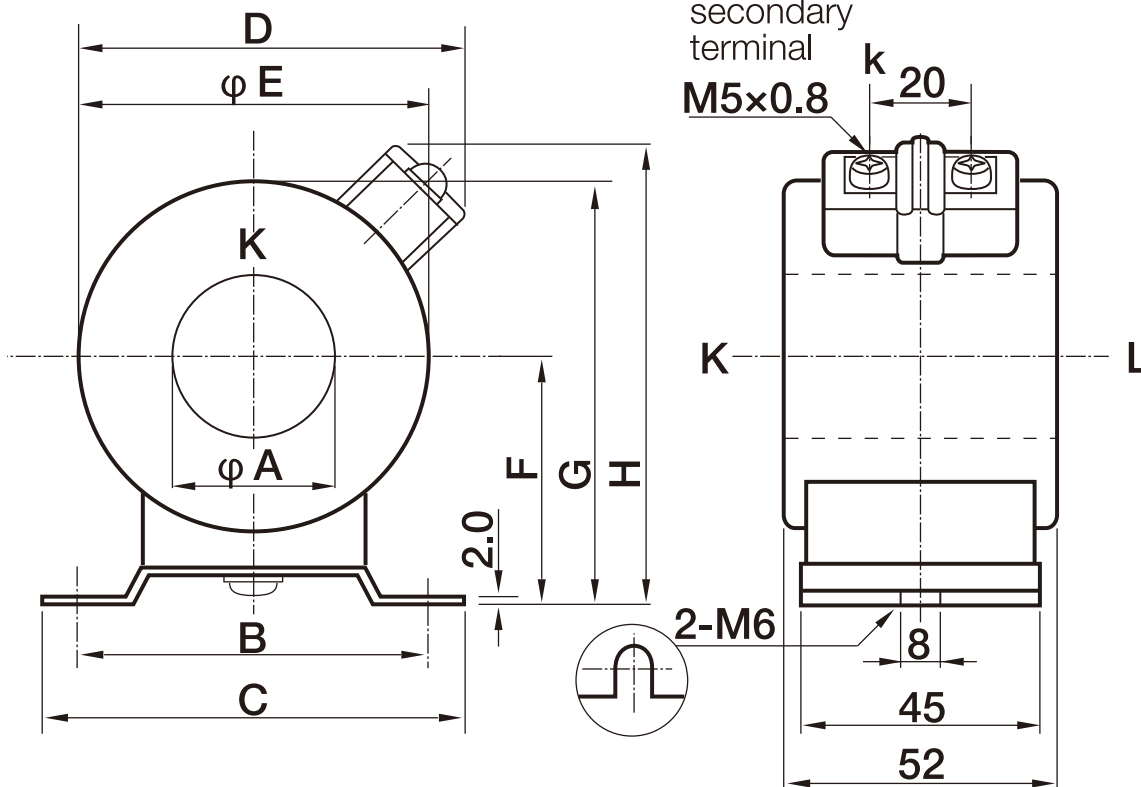
Symbol	φ A	B	C	D
Length	23 mm (0.91 in)	70 mm (2.76 in)	85 mm (3.35 in)	68 mm (2.68 in)

Symbol	φ E	F	G	H
Length	60 mm (2.36 in)	45 mm (1.77 in)	75 mm (2.95 in)	83 mm (3.27 in)

Model No. (Order Code) **CT-5MRN100** (Primary current 100 A, output 5 VA)  
**CT-5MRN120** (Primary current 120 A, output 5 VA)  
**CT-5MRN150** (Primary current 150 A, output 5 VA)

■ Dimensions (Expand)



■ Dimensions table

Symbol	φ A	B	C	D
Length	23 mm (0.91 in)	70 mm (2.76 in)	85 mm (3.35 in)	68 mm (2.68 in)

Symbol	φ E	F	G	H
Length	60 mm (2.36 in)	45 mm (1.77 in)	75 mm (2.95 in)	83 mm (3.27 in)